



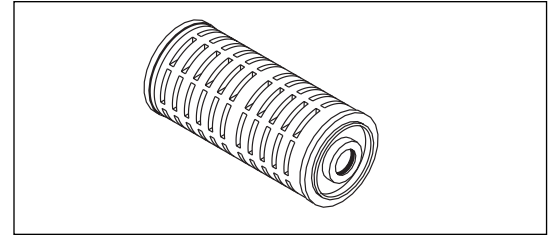
FILTER, CHAMBER SEALS & PM KITS TO FIT STERIS SYSTEM 1

LOOK
They're Back!

RPI PART #SSF012
OEM Part #A1525

A1525 STERILE WATER FILTER

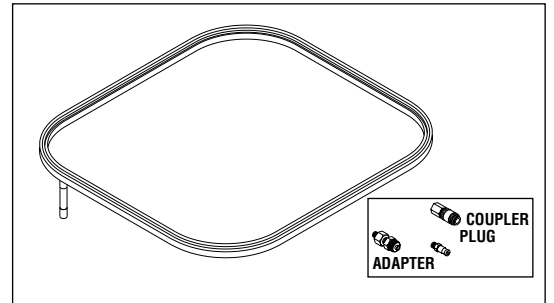
- 0.2 micron
 - Silicone O-ring
- Model:** System 1



RPI PART #SSS001
OEM Part #200213

INFLATABLE CHAMBER SEAL

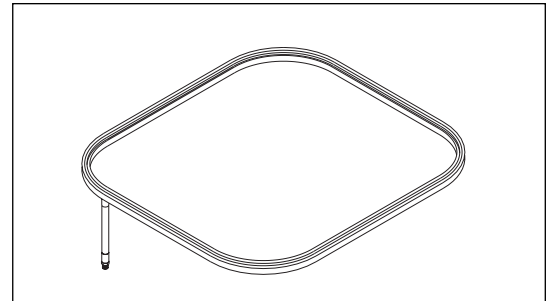
- EPDM
 - Includes chamber seal, stem, coupler, plug, and adapter
- Model:** System 1



RPI PART #SSS037
OEM Part #200253

INFLATABLE CHAMBER SEAL

- EPDM
 - Includes chamber seal and stem
- Model:** System 1

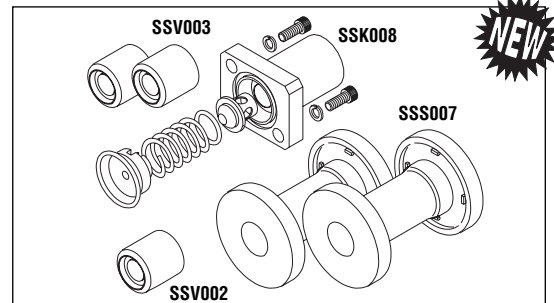


LOOK
What's New!

RPI PART #SSK038
OEM Part #200687

MAJOR PM KIT #1

- Includes:
 - (1) Check Valve (CK-8 Drain Check) Retro Fit Kit (RPI Part #SSK008),
 - (1) Check Valve CK-1 (RPI Part #SSV002),
 - (2) Check Valves CK-2 & CK-3 (RPI Part #SSV003), and
 - (2) Pinch Valve Sleeves (RPI Part #SSS007)
- Model:** System 1



RPI PART #SSK039
OEM Part #200975

MAJOR PM KIT #2

- Includes:
 - (1) Check Valve CK-1 (RPI Part #SSV002),
 - (2) Check Valves CK-2 & CK-3 (RPI Part #SSV003), and
 - (2) Pinch Valve Sleeves (RPI Part #SSS007)
- Model:** System 1

