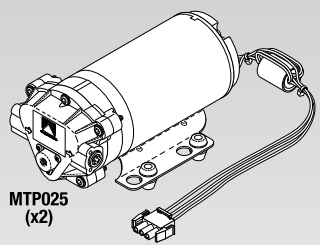


Automated Endoscope Reprocessors


Models: Advantage Plus®, CER Optima®, DSD-91E®, DSD-201®, DSD Edge®, & SSD-102®

STERILIZERS - MINNTECH (MEDIVATORS)


PM Kits and More to fit Medivators® DSD-201® & DSD Edge® AER Systems! IN STOCK & READY TO SHIP!



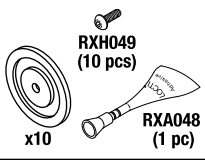
MTP025 (x2)




RPL090 (1 pc)




MTV028
x2



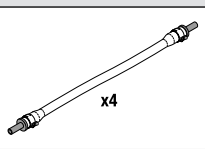
MTK019
RXH049 (10 pcs)
RXA048 (1 pc)



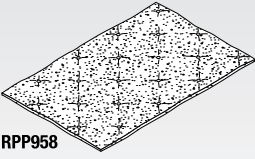
MTC029
x2




MTS022
x4




MTS024
x4




RPP958



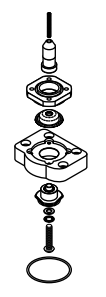
RXT003



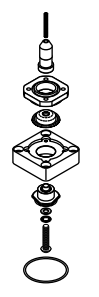
RXT002



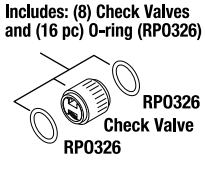
RPO984 (2 pc)
Not Shown Actual Size



MTK013 (x4)



MTK014 (x2)



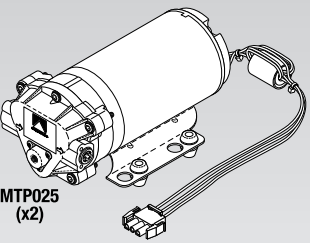
Includes: (8) Check Valves and (16 pc) O-ring (RP0326)
RP0326 Check Valve
RP0326
MTV027

RPI Part #MTK009
OEM Part #78400-722

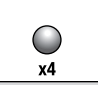
PM KIT

- Annual PM kit
- For use on DSD-201 machines that have been upgraded to the 3/4" drain valve (OEM Part #78401-050 which is also included in the PM Kit #78400-724) or have a DSD-201 with serial #649904-064 and above.
- Includes all parts as shown


Models: DSD-201




MTP025 (x2)



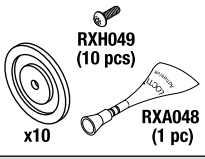
MTB047
x4



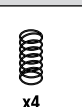
RPL090 (2 pc)



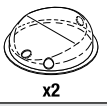
MTV028
x2




MTK019
RXH049 (10 pcs)
RXA048 (1 pc)



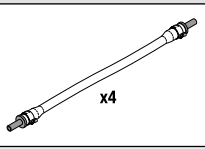
MTS048
x4



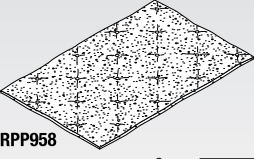
MTC029
x2



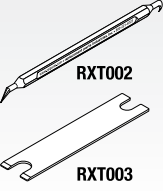
MTS022
x4




MTS024
x4




RPP958




RXT003




RXT002



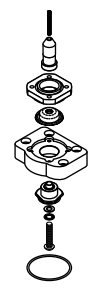
MTS044
x2



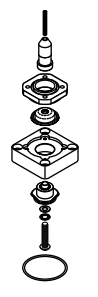
MTS045
x2



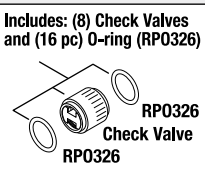
RPO984 (2 pc)
Not Shown Actual Size



MTK013 (x2)



MTK014 (x2)



Includes: (8) Check Valves and (16 pc) O-ring (RP0326)
RP0326 Check Valve
RP0326
MTV027

RPI Part #MTK033
OEM Part #78401-176

PM KIT

- Annual PM Kit
- Includes all parts as shown

Models: DSD Edge

replacement parts industries, inc.

CALL (800) 221-9723 • FAX (818) 882-7028 • EMAIL order@ripiparts.com • WEBSITE www.ripiparts.com

The above parts are manufactured by Replacement Parts Industries, Inc. to fit the equipment noted. All product names used in this document are trademarks or registered trademarks of their respective holders. Flyer Code 1705MT Rd2 SHOW 05/19

SECTION

10

PAGE

451

UPDATED

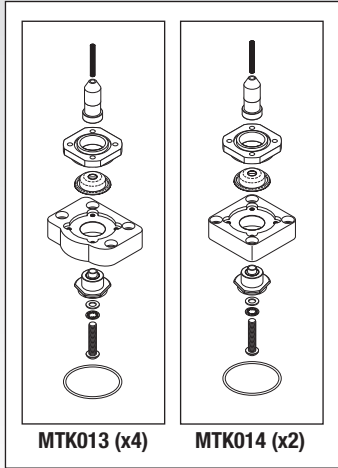
05/19

RPI Part #MTK012
OEM Part #78400-660

BASIN VALVE REBUILD KIT

- See **Note** below.
- Includes: (4) Valve Rebuild Kit (Drain/Return) (RPI Part #MTK013) and (2) Valve Rebuild Kit (Overflow) (RPI Part #MTK014)

Fits: 3/4" Drain Valve Manifold
Models: DSD-201

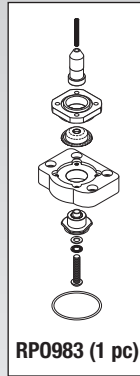


RPI Part #MTK013
OEM Part #78400-658

VALVE REBUILD KIT (DRAIN/RETURN)

- Valve #10 and #11
- See **Note** below. Also used on all DSD-Edge units.
- Includes all parts as shown

Fits: 3/4" Drain Valve Manifold
Models: DSD-201 & DSD Edge

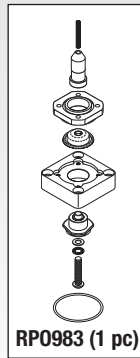


RPI Part #MTK014
OEM Part #78400-659

VALVE REBUILD KIT (OVERFLOW)

- Valve #9
- See **Note** below. Also used on all DSD-Edge units.
- Includes all parts as shown

Fits: 3/4" Drain Valve Manifold
Models: DSD-201 & DSD Edge

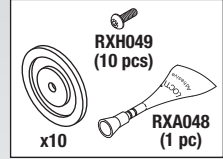


RPI Part #MTK019
OEM Part #78401-261/78398-538

AIR VALVE DIAPHRAGM KIT

- 10 per package
- Material: Diaphragm is a custom formulated elastomer; Screws are 316 stainless steel.
- Also available: Screw (#8-32 x 3/8" Soc Hd Button) (RPI Part #RXH049) and Retaining Compound 609 (RPI Part #RXA048)

Fits: Air Valve Assemblies
Models: DSD-201 & DSD Edge



RPI Part #MTS022
OEM Part #MV01-0035

VALVE SEAL (ALCOHOL AND DETERGENT)

- 4 per package; Material: Viton®
- Fits:** Alcohol/Detergent Valve

Models: DSD-201 & DSD Edge



RPI Part #RXT002
OEM Part #47049-687

O-RING REMOVAL TOOL

- Made from Nylon® to avoid scratching delicate O-ring sealing surfaces
- Size: 5.5"

Models: DSD-201 & DSD Edge



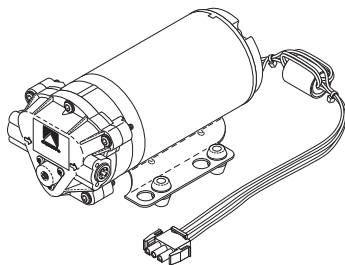
NOTE: For use on DSD-201 machines that have been upgraded to the 3/4" drain valve (OEM #78401-050 which is also included in the PM Kit #78400-724) or have a DSD-201 with serial #649904-064 and above.

RPI Part #MTP025
OEM Part #78400-689

PUMP (DISINFECTANT)

- 115 VAC, 60 Hz.
- Fits:** Chassis

Models: DSD-201 & DSD Edge

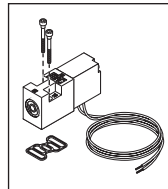


RPI Part #MTV030
OEM Part #41600-109

SOLENOID VALVE (MAC)

- Includes: Gasket and mounting screws
- Fits:** Air Delivery System

Models: DSD-201 & DSD Edge

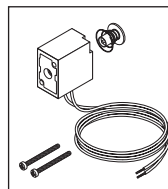


RPI Part #MTC032
OEM Part # (No OEM Part # Available)

COIL (SOLENOID VALVE - MAC)

- Includes: Plunger assembly and mounting screws
- Fits:** Air Delivery System

Models: DSD-201 & DSD Edge

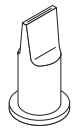


RPI Part #MTV028
OEM Part #MV01-0040

CHECK VALVE (ALCOHOL AND DETERGENT)

- 2 per package
- Fits:** Alcohol and Detergent Assembly

Models: Advantage Plus, DSD-201 & DSD Edge

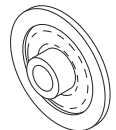


RPI Part #MTS045
OEM Part #41013-001

SEAL (SAMPLE PORT)

- 2 per package
- Fits:** Sample Port Valve

Models: DSD Edge

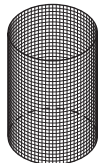


RPI Part #MTS044
OEM Part #43100-254

STRAINER

- 2 per package
- Fits:** Disinfectant Manifold

Models: DSD Edge

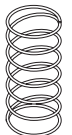


RPI Part #MTS048
OEM Part #47049-415

SPRING

- 4 per package
- Fits:** SSG Dosing Assembly

Models: Advantage Plus & DSD Edge

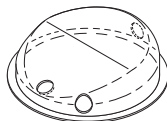


RPI Part #MTC029
OEM Part #MC13-0015

COVER (BASIN SENSOR)

- 2 per package
- Fits:** Basin Sensor

Models: DSD-201 & DSD Edge

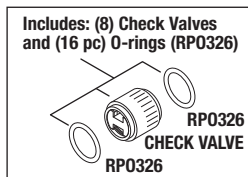


RPI Part #MTV027
OEM Part #78401-260

CHECK VALVE

- Includes all parts as shown
- Fits:** Fluid Manifold

Models: DSD-201 & DSD Edge



RPI Part #MTB047
OEM Part #47049-658 & 47049-416

FLOAT BALL

- 4 per package
- Fits:** SSG Dosing Assembly

Models: Advantage Plus & DSD Edge

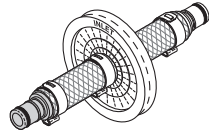


RPI Part #MTA001
OEM Part #MF01-0028

AIR FILTER ASSEMBLY

- 8 per package; 0.2 micron
- Color coded 1/4" flow male quick couplings (Blue-Inlet; White-Outlet)

Fits: Air Compressor Line
Models: Advantage Plus, CER Optima, DSD-91E, DSD-201, DSD Edge, & SSD-102

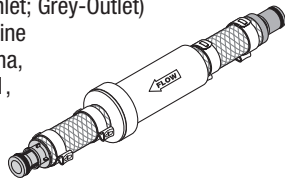


RPI Part #MTA002
OEM Part #MF01-0011

DISINFECTANT FILTER ASSEMBLY

- 12 per package; 65 micron
- Color coded 1/4" flow male quick couplings (Red-Inlet; Grey-Outlet)

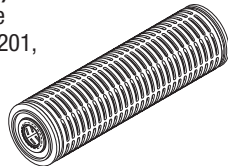
Fits: Disinfectant Line
Models: CER Optima, DSD-91E, DSD-201, & SSD-102



RPI Part #MTF004
OEM Part #MF01-0015

PREFILTER CARTRIDGE (0.45 MICRON ABSOLUTE)

Fits: Incoming Water Line
Models: DSD-91E, DSD-201, DSD Edge, & SSD-102



RPI Part #MTF005
OEM Part #MF01-0014

PREFILTER (1 MICRON)

Fits: Pre Filter Assembly
Models: CER Optima, DSD-91E, DSD-201, DSD Edge, & SSD-102

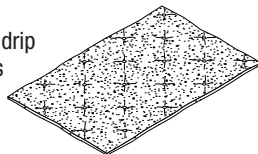


RPI Part #RPP958
OEM Part # (No OEM Part # Available)

ABSORBENT PAD

- 3 per package
- Can be used for oil drip collection and spills

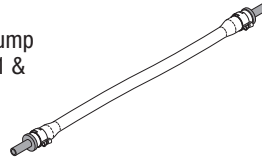
Models: DSD-201 & DSD Edge



RPI Part #MTS024
OEM Part #MT010-0500

PERISTALTIC PUMP TUBING SET

- 4 per package
- Fits:** Peristaltic Pump
- Models:** DSD-201 & DSD Edge

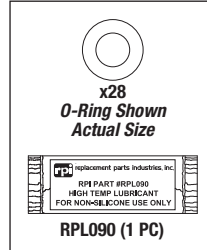


RPI Part #MTK046
OEM Part #43100-302

O-RING KIT

- Includes all parts as shown

Fits: SSG Reservoir
Models: Advantage Plus & DSD Edge



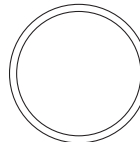
RPI Part #RPO983
OEM Part #43100-224

O-RING - 3/pkg

- Size: 1.799" ID x 2.005" OD x .103" C/S

• Material: Viton®, 75 Duro
Fits: Drain Manifold Valves

Models: DSD-201 & DSD Edge



Not Shown Actual Size

RPI Part #RPO984
OEM Part #M001-0004

O-RING - 6/pkg

- Size: 1.176" ID x 1.316" OD x 0.70" C/S

• Material: Viton®, 75 Duro
Fits: Drain Manifold

Models: DSD-201 & DSD Edge

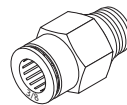


Not Shown Actual Size

RPI Part #RXF012
OEM Part # (No OEM Part # Available)

MALE CONNECTOR (3/8" PUSH-IN x 1/4" MPT)

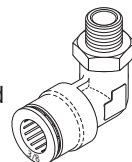
- 2 per package
- Fits:** Air Tank Assembly
- Models:** DSD-201 & DSD Edge



RPI Part #RXF013
OEM Part # (No OEM Part # Available)

ELBOW FITTING (3/8" PUSH-IN x 1/8" MPT)

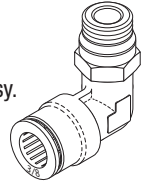
- 2 per package
- Fits:** 4 Station Air/Valve Manifold
- Models:** DSD-201 & DSD Edge



RPI Part #RXF014
OEM Part # (No OEM Part # Available)

ELBOW FITTING (3/8" PUSH-IN x 1/4" MPT)

- 2 per package
- Fits:** MAC Sol. Valve Manifold Assy.
- Models:** DSD-201 & DSD Edge



RPI Part #RXF015
OEM Part # (No OEM Part # Available)

MALE CONNECTOR (5/32" PUSH-IN x 1/8" MPT)

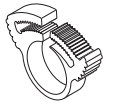
- 8 per package
- Fits:** MAC Valve Assemblies
- Models:** DSD-201 & DSD Edge



RPI Part #RXC021
OEM Part # (No OEM Part # Available)

KWIK™ CLAMP (.59" - .67" DIA)

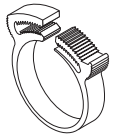
- 6 per package
- Fits:** 5/8" OD Tubing
- Models:** DSD-201 & DSD Edge



RPI Part #RXC022
OEM Part # (No OEM Part # Available)

KWIK™ CLAMP (1.26" - 1.37" DIA)

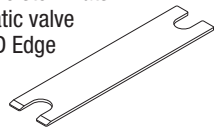
- 6 per package
- Fits:** 1-1/4" OD Tubing
- Models:** DSD-201 & DSD Edge



RPI Part #RXT003
OEM Part #MW03-0002

WRENCH (LOW PROFILE)

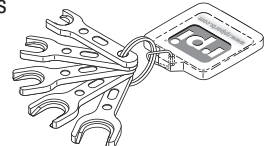
- Used to secure the valve stem flats on Medivators pneumatic valve
- Models:** DSD-201 & DSD Edge



RPI Part #RXT004
OEM Part #47049-157

COLLET RELEASE WRENCH SET

- John Guest collet wrench set
- Sizes: 3/16", 1/4", 5/16", 3/8" and 1/2"
- Fits:** Tubing Fittings
- Models:** DSD-201 & DSD Edge



TUBING	RPI Part #	OEM Part #	Description	fits DSD-201	fits DSD Edge
<p>Sold by the foot. Reel not included</p>	RPT879	No OEM Part # Available	TUBING (3/8" ID x .594" OD CLEAR BRAIDED)	•	•
	RPT959	MT01-0024	TUBING (1/4" ID x 3/8" OD CLEAR)	•	•
	RPT987	MT01-0000 (4" lg.)	TUBING (1" ID x 1-1/4" OD CLEAR)	•	•
	RXT009	MT01-0026	TUBING (.170" ID x 1/4" OD NATURAL TRANSLUCENT)	•	•
	RXT010	MT01-0025	TUBING (.106" ID x 5/32" OD BLACK)	•	•
	RXT011	47509-390	TUBING (.106" ID x 5/32" OD ORANGE)	•	•



replacement parts industries, inc.

625 Cochran Street • Simi Valley, California • 93065

PRESORTED STANDARD
U.S. POSTAGE PAID
VAN NUYS, CA
PERMIT NO. 2399

ADDRESS SERVICES REQUESTED

PM Kits and more to fit Medivators® DSD-201® & DSD Edge® AER Systems!

**Complete List
of Parts to fit**

**MEDIVATORS®
Automated Endoscope Reprocessors**

RPI Part #	OEM Part #	Description	Advantage Plus	CER Optima	DSD-91E	DSD-201	DSD Edge	SSD-102
MTA001	MF01-0028	Air Filter Assembly - 8/PKG	•	•	•	•	•	•
MTA002	MF01-0011	Disinfectant Filter Assembly - 12/PKG		•	•	•		•
MTB047	47049-658 & 47049-416	Float Ball - 4/PKG	•				•	
MTC029	MC13-0015	Cover (Basin Sensor) - 2/PKG				•	•	
MTC032	No OEM Part # Available	Coil (Solenoid Valve - MAC)				•	•	
MTF004	MF01-0015	Prefilter Cartridge (0.45 Micron Absolute)			•	•	•	•
MTF005	MF01-0014	Prefilter (1 Micron)		•	•	•	•	•
MTK009	78400-722	PM Kit				•		
MTK012	78400-660	Basin Valve Rebuild Kit				•		
MTK013	78400-658	Valve Rebuild Kit (Drain/Return)				•	•	
MTK014	78400-659	Valve Rebuild Kit (Overflow)				•	•	
MTK019	78401-261 & 78398-538	Air Valve Diaphragm Kit - 10/PKG				•	•	
MTK033	78401-176	PM Kit					•	
MTK046	43100-302	O-Ring Kit	•				•	
MTP025	78400-689	Pump (Disinfectant)				•	•	
MTS022	MV01-0035	Valve Seal (Alcohol and Detergent) - 4/PKG				•	•	
MTS024	MT010-0500	Peristaltic Pump Tubing Set - 4/PKG				•	•	
MTS044	43100-254	Strainer - 2/PKG					•	
MTS045	41013-001	Seal (Sample Port) - 2/PKG					•	
MTS048	47049-415	Spring - 4/PKG	•				•	
MTV027	78401-260	Check Valve - 8/PKG				•	•	
MTV028	MV01-0040	Check Valve (Alcohol and Detergent) - 2/PKG	•			•	•	
MTV030	41600-109	Solenoid Valve (MAC)				•	•	
RPO983	43100-224	O-Ring - 3/PKG				•	•	
RPO984	MO01-0004	O-Ring - 6/PKG				•	•	
RPT879	No OEM Part # Available	Tubing (3/8" ID x .594" OD Clear Braided) - per foot				•	•	
RPT959	MT01-0024	Tubing (1/4" ID x 3/8" OD Clear) - per foot				•	•	
RPT987	MT01-0000 (4" lg.)	Tubing (1" ID x 1-1/4" OD Clear) - per foot				•	•	
RPP958	No OEM Part # Available	Absorbent Pad - 3/PKG				•	•	
RXA048	No OEM Part # Available	Retaining Compound 609 - 5/PKG				•	•	
RXC021	No OEM Part # Available	Kwik™ Clamp (.59" - .67" dia.) - 6/PKG				•	•	
RXC022	No OEM Part # Available	Kwik™ Clamp (1.26" - 1.37" dia.) - 6/PKG				•	•	
RXF012	No OEM Part # Available	Male Connector (3/8" Push-In x 1/4" MPT) - 2/PKG				•	•	
RXF013	No OEM Part # Available	Elbow Fitting (3/8" Push-In x 1/8" MPT) - 2/PKG				•	•	
RXF014	No OEM Part # Available	Elbow Fitting (3/8" Push-In x 1/4" MPT) - 2/PKG				•	•	
RXF015	No OEM Part # Available	Male Connector (5/32" Push-In x 1/8" MPT) - 8/PKG				•	•	
RXH049	No OEM Part # Available	Screw (#8-32 x 3/8" Soc Hd Button) - 10/PKG				•	•	
RXT002	47049-687	O-Ring Removal Tool				•	•	
RXT003	MW03-0002	Wrench (Low Profile)				•	•	
RXT004	47049-157	Collet Release Wrench Set				•	•	
RXT009	MT01-0026	Tubing (.170" ID x 1/4" OD Natural Translucent) - per foot				•	•	
RXT010	MT01-0025	Tubing (.106" ID x 5/32" OD Black) - per foot				•	•	
RXT011	47509-390	Tubing (.106" ID x 5/32" OD Orange) - per foot				•	•	