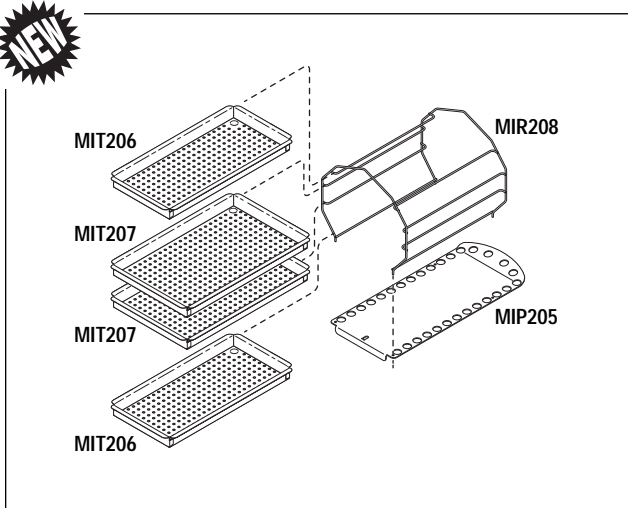


Models: UltraClave® M9 & M11

NEW
INSTRUMENT TRAYS, RACKS, AND PLATES TO FIT
MIDMARK® • RITTER®
ULTRACLAVE® M9 & M11 STERILIZERS!

Parts To Fit **ULTRACLAVE® M9**
 (M9-001 thru -019 & M9-020 thru -022)



RPI Part #MIK204
 OEM Part #030-0710-01 (Tray Rack), 050-3691-00 (Tray Rack),
 002-0253-00 (Instrument Tray (Small)), 002-0374-00 (Instrument Tray (Large))
 & 050-1773-00 (Tray Plate)

RACK AND TRAY KIT
 • Includes all parts as shown; All parts also sold separately!
 • Material: Stainless steel
 Fits: Chamber

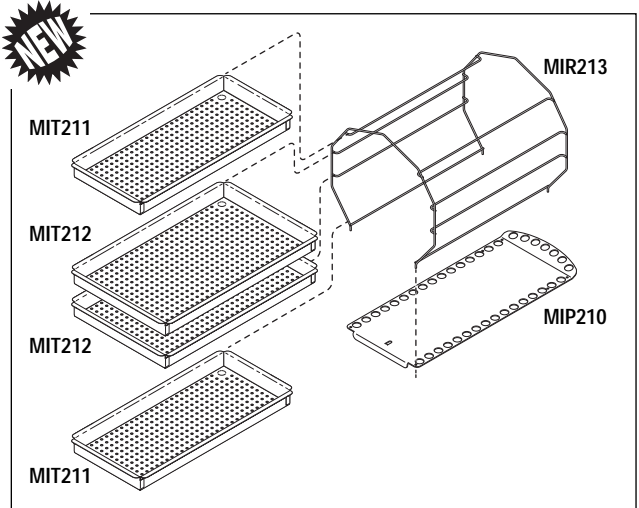
NEW RPI Part #MIR208
 OEM Part #030-0710-01 & 050-3691-00
TRAY RACK
Accommodates old and new style Instrument Trays!

NEW RPI Part #MIT206
 OEM Part #002-0253-00
INSTRUMENT TRAY (SMALL)
 • Size: 6" x 12"
Use with wire or sheet metal style racks!

NEW RPI Part #MIT207
 OEM Part #002-0374-00
INSTRUMENT TRAY (LARGE)
 • Size: 7" x 12"
Use with wire or sheet metal style racks!

NEW RPI Part #MIP205
 OEM Part #050-1773-00 (Old style) & 050-3750-00 (New style)
TRAY PLATE
Use with wire or sheet metal style racks!

Parts To Fit **ULTRACLAVE® M11**
 (M11-001 thru -019 & M11-020 thru -022)



RPI Part #MIK209
 OEM Part #050-3920-00 (Tray Rack), 050-2644-00 (Instrument Tray (Small)),
 050-4260-00 (Instrument Tray (Small)), 050-4259-00 (Instrument Tray (Large)),
 050-2643-00 (Instrument Tray (Large)) & 050-3919-00 (Tray Plate)

RACK AND TRAY KIT
 • Includes all parts as shown; All parts also sold separately!
 • Material: Stainless steel
 Fits: Chamber

NEW RPI Part #MIR213
 OEM Part #030-0887-00 & 050-3920-00 (Tray Rack)
TRAY RACK
Accommodates old and new style Instrument Trays!

NEW RPI Part #MIT211
 OEM Part #050-2644-00 & 050-4260-00
INSTRUMENT TRAY (SMALL)
 • Size: 7" x 15"
Use with wire or sheet metal style racks!

NEW RPI Part #MIT212
 OEM Part #050-2643-00 & 050-4260-00
INSTRUMENT TRAY (LARGE)
 • Size: 9" x 15"
Use with wire or sheet metal style racks!

NEW RPI Part #MIP210
 OEM Part #050-2600-00 (Old Style) & 050-3919-00 (New Style)
TRAY PLATE
Use with wire or sheet metal style racks!

The above parts are manufactured by Replacement Parts Industries, Inc. to fit Midmark® • Ritter® equipment. All product names used in this document are trademarks or registered trademarks of their respective holders. Flyer Code 1511MI Show 02/17

**NEW PARTS TO FIT MIDMARK® • RITTER®
ULTRACLAVE® M9 & M11 STERILIZERS!**

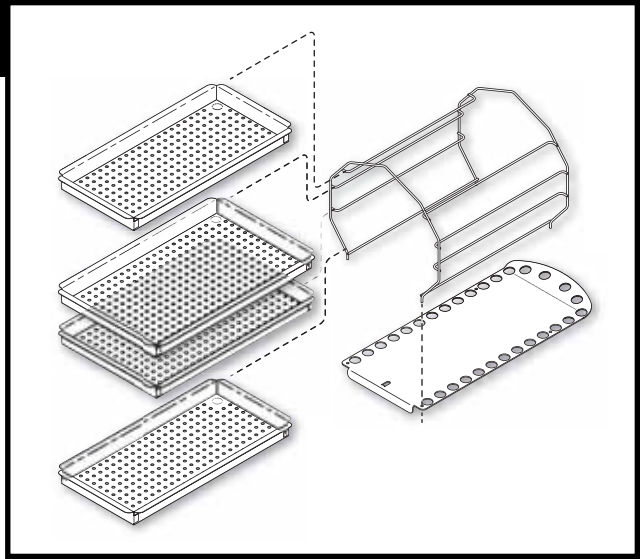
RPI is pleased to introduce two Rack and Tray Kits to fit M9 and M11 table top sterilizers!

RPI stainless steel Rack and Tray Kits include:

- Tray Rack
- Tray Plate
- (2) large Instrument Trays
- (2) Small Instrument Trays

All parts included in the kits are also sold separately!

What's more, our Tray Racks are designed to accommodate old and new style instrument trays, and our Trays and Plates can be used with wire or sheet metal style racks.



Instrument Trays, Racks, and Plates to fit Midmark® • Ritter® M9 & M11 Sterilizers!

ADDRESS SERVICES REQUESTED

rpi!
replacement parts industries, inc.
20338 Corisco Street • Chatsworth, California • 91311

PERMIT NO. 2399
VAN NUYS, CA
U.S. POSTAGE PAID
PRESORTED STANDARD

KEEP YOUR ULTRACLAVE® STERILIZERS CLEAN WITH RPI!

RPI Part #MIC143
OEM Part #002-0396-00 (Speed Clean)

MID-CLEAN™

- Sterilizer cleaning solution
- (1) 16 oz. bottle

Models: M7, M9, M9D,
M11 & M11D



• Also available by the case of 12 bottles!
Just ask for MID-CLEAN™ (CASE)
(RPI Part #MIC144)

RPI Part #RPK791
OEM Part # (No OEM Part # Available)

CLEANING KIT

- Supplied in a convenient sturdy canvas Carrying Case (RPI Part #RPC799)
- Includes all parts as shown
- All parts also sold separately!

