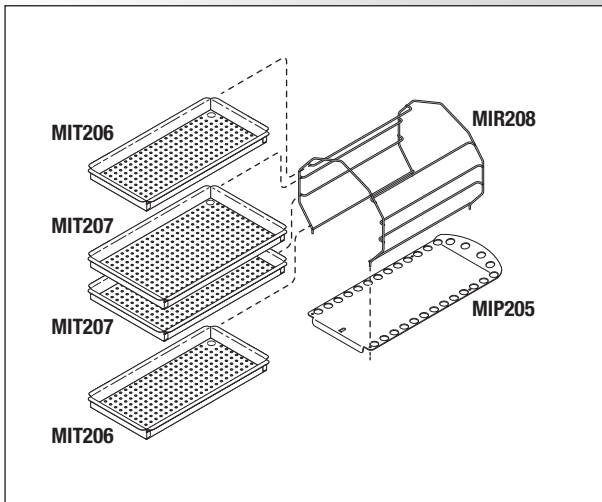


**RPI Is
YOUR BEST
SOURCE FOR**

RACKS AND TRAYS TO FIT TABLE TOP STERILIZERS!

Fits **MIDMARK•RITTER® UltraClave® M9**
(M9-001 thru -019 & M9-020 thru -022)



RPI Part #MIK204
OEM Part #030-0710-01 (Tray Rack), 050-3691-00 (Tray Rack),
002-0253-00 (Instrument Tray (Small)), 002-0374-00 (Instrument Tray (Large))
& 050-1773-00 (Tray Plate)

RACK AND TRAY KIT

- Includes all parts as shown; All parts also sold separately!
 - Material: Stainless steel
- Fits:** Chamber

RPI Part #MIR208
OEM Part #030-0710-01 & 050-3691-00
TRAY RACK

Accommodates old and new style Instrument Trays!

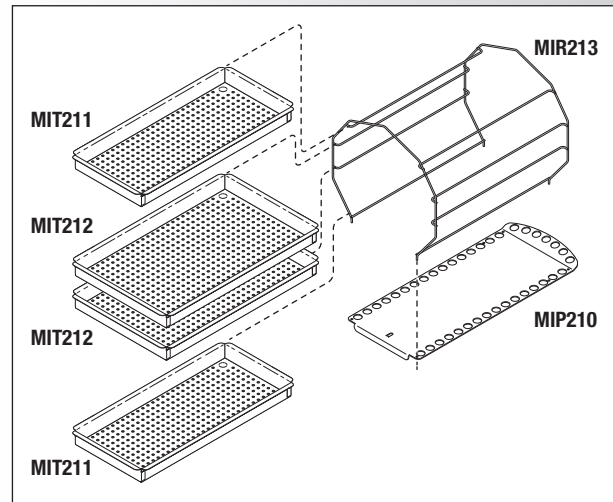
RPI Part #MIT206
OEM Part #002-0253-00
INSTRUMENT TRAY (SMALL)
• Size: 6" x 12"
Also fits: SpeedClave® M7 (M7-001 thru M7-022)

Use with wire or sheet metal style racks!

RPI Part #MIT207
OEM Part #002-0374-00
INSTRUMENT TRAY (LARGE)
• Size: 7" x 12"
Use with wire or sheet metal style racks!

RPI Part #MIP205
OEM Part #050-1773-00 (Old style) &
050-3750-00 (New style)
TRAY PLATE
Use with wire or sheet metal style racks!

Fits **MIDMARK•RITTER® UltraClave® M11**
(M11-001 thru -019 & M11-020 thru -022)



RPI Part #MIK209
OEM Part #050-3920-00 (Tray Rack), 050-2644-00 (Instrument Tray (Small)),
050-4260-00 (Instrument Tray (Small)), 050-4259-00 (Instrument Tray (Large)),
050-2643-00 (Instrument Tray (Large)) & 050-3919-00 (Tray Plate)

RACK AND TRAY KIT

- Includes all parts as shown; All parts also sold separately!
 - Material: Stainless steel
- Fits:** Chamber

RPI Part #MIR213
OEM Part #030-0887-00 &
050-3920-00 (Tray Rack)
TRAY RACK

Accommodates old and new style Instrument Trays!

RPI Part #MIT211
OEM Part #050-2644-00 & 050-4260-00
INSTRUMENT TRAY (SMALL)
• Size: 7" x 15"

Use with wire or sheet metal style racks!

RPI Part #MIT212
OEM Part #050-2643-00 & 050-4259-00
INSTRUMENT TRAY (LARGE)
• Size: 9" x 15"
Use with wire or sheet metal style racks!

RPI Part #MIP210
OEM Part #050-2600-00 (Old Style)
& 050-3919-00 (New Style)
TRAY PLATE
Use with wire or sheet metal style racks!



replacement parts industries, inc.

CALL (800) 221-9723 • FAX (818) 882-7028 • EMAIL order@rpiparts.com • WEBSITE www.rpiparts.com

The above parts are manufactured by Replacement Parts Industries, Inc. to fit the equipment noted. All product names used in this document are trademarks or registered trademarks of their respective holders. Show 10/19

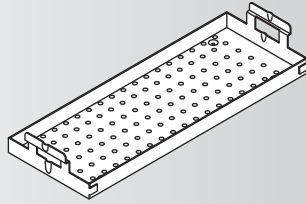
Fits PELTON & CRANE Delta AF10, Q10 & XL10

RPI Part #PCT142
OEM Part #1539357/004429

INSTRUMENT TRAY (SMALL)

- Size: 6-1/2" x 17" x 1"
- Material: Stainless steel
- Tray can be used with larger tray (RPI Part #PCT143)

Fits: Chamber
Models: AF10, Q10 & XL10

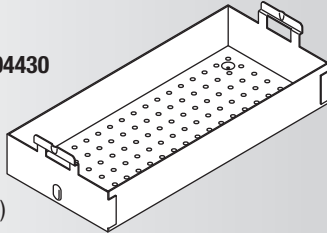


RPI Part #PCT143
OEM Part #1539340/044159/004430

INSTRUMENT TRAY (LARGE)

- Size: 8" x 17" x 2-1/2"
- Material: Stainless steel
- Tray can be used with smaller tray (RPI Part #PCT142)

Fits: Chamber
Models: AF10, Q10 & XL10



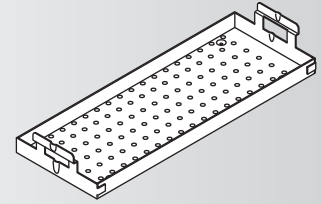
Fits PELTON & CRANE OCR & OCR+

RPI Part #PCT142
OEM Part #1539357/004429

INSTRUMENT TRAY (SMALL)

- Size: 6-1/2" x 17" x 1"
- Material: Stainless steel
- Tray can be used with larger tray (RPI Part #PCT143)

Fits: Chamber
Models: OCR & OCR+

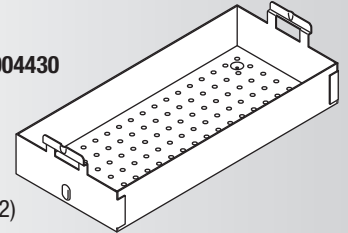


RPI Part #PCT143
OEM Part #1539340/044159/004430

INSTRUMENT TRAY (LARGE)

- Size: 8" x 17" x 2-1/2"
- Material: Stainless steel
- Tray can be used with smaller tray (RPI Part #PCT142)

Fits: Chamber
Models: OCR & OCR+



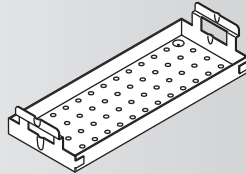
Fits PELTON & CRANE OCM & Sentry

RPI Part #PCT140
OEM Part #004040

INSTRUMENT TRAY (SMALL)

- Size: 5" x 13" x 1"
- Material: Stainless steel
- Tray can be used with larger tray (RPI Part #PCT141)

Fits: Chamber
Models: OCM & Sentry

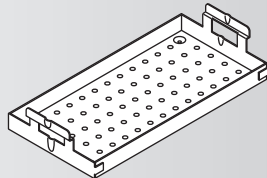


RPI Part #PCT141
OEM Part #004141

INSTRUMENT TRAY (LARGE)

- Size: 6-1/2" x 13" x 1"
- Material: Stainless steel
- Tray can be used with smaller tray (RPI Part #PCT140)

Fits: Chamber
Model: OCM

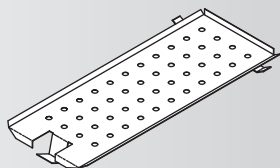


RPI Part #PCR188
OEM Part #004286

TRAY REST & SUPPORT ASSEMBLY

- Size: 4.5" x 13"
- Material: Stainless steel

Fits: Chamber
Model: OCM



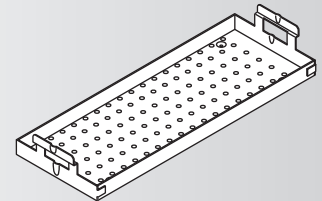
Fits PELTON & CRANE Validator 10 & Plus 10

RPI Part #PCT142
OEM Part #1539357/004429

INSTRUMENT TRAY (SMALL)

- Size: 6-1/2" x 17" x 1"
- Material: Stainless steel
- Tray can be used with larger tray (RPI Part #PCT143)

Fits: Chamber
Model: Validator 10 (AA)

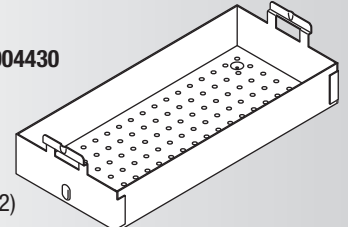


RPI Part #PCT143
OEM Part #1539340/044159/004430

INSTRUMENT TRAY (LARGE)

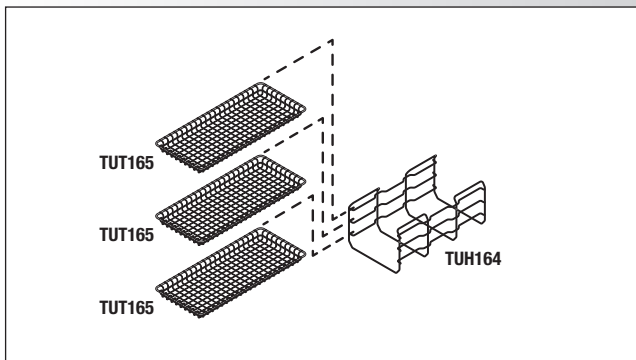
- Size: 8" x 17" x 2-1/2"
- Material: Stainless steel
- Tray can be used with smaller tray (RPI Part #PCT142)

Fits: Chamber
Model: Validator 10 (AA) & Validator Plus 10 (AD)



Fits

TUTTNAUER 1730 Series



RPI Part #TUK163
OEM Part #TRH173-0005 (Tray Holder)/
TRY173-0008 Tray (Wire)

HOLDER AND TRAY KIT

- Includes all parts as shown
- All parts also sold separately!
- Material: Stainless steel

Fits: Chamber

Models: Valueklave (1730MKV) & 1730E/EK/M/MK

RPI Part #TUH164
OEM Part #TRH173-0005
(Replaces CU510010)

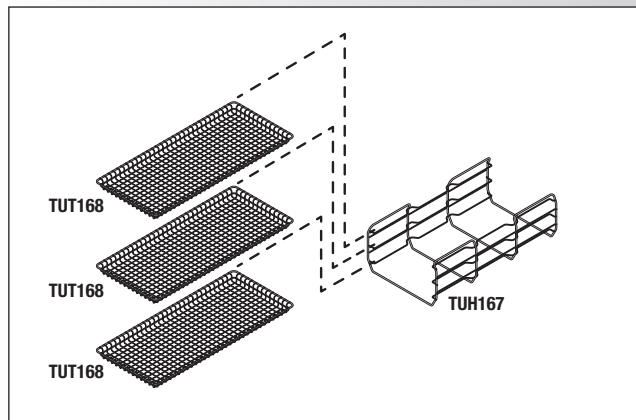
TRAY HOLDER

RPI Part #TUT165
OEM Part #TRY173-0008
(Replaces CU520010)

TRAY (WIRE)
 • Size: 5.46" x 12.25"

Fits

TUTTNAUER EZ9 & 2340 Series



RPI Part #TUK166
OEM Part #TRH234-0012 (Tray Holder)/
TRY254-0003 Tray (Wire)

HOLDER AND TRAY KIT

- Includes all parts as shown
- All parts also sold separately!
- Material: Stainless steel

Fits: Chamber

Models: EZ9, EZ9k & 2340E/EA/EK/EKA/M/MK

RPI Part #TUH167
OEM Part #TRH234-0012
(Replaces CT510010)

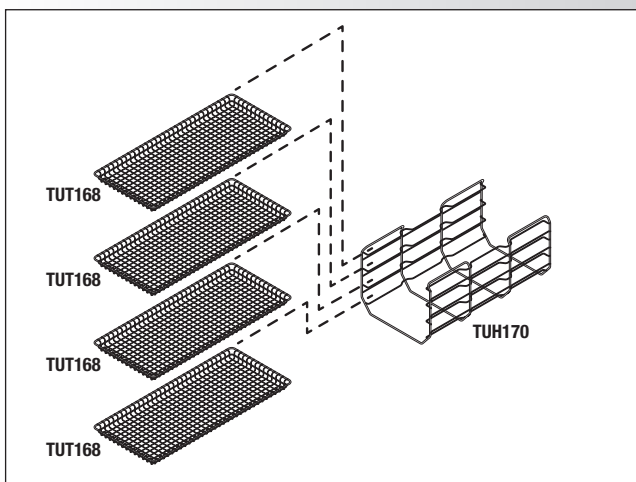
TRAY HOLDER

RPI Part #TUT168
OEM Part #TRY254-0003
(Replaces CT520010)

TRAY (WIRE)
 • Size: 17.39" x 7.60"

Fits

TUTTNAUER EZ10 & 2540 Series



RPI Part #TUK169
OEM Part #TRH254-0036 (Tray Holder)/
TRY254-0003 Tray (Wire)

HOLDER AND TRAY KIT

- Includes all parts as shown
- All parts also sold separately!
- Material: Stainless steel

Fits: Chamber

Models: EZ10, EZ10k & 2540E/EK/EKA/M/MK

RPI Part #TUH170
OEM Part #TRH254-0036
(Replaces CV510010)

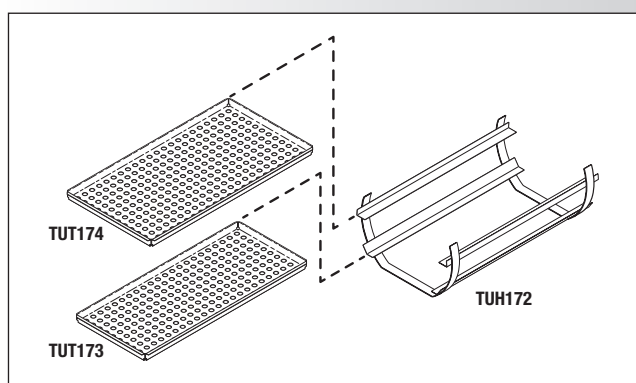
TRAY HOLDER

RPI Part #TUT168
OEM Part #TRY254-0003
(Replaces CT520010)

TRAY (WIRE)
 • Size: 17.39" x 7.60"

Fits

TUTTNAUER 3870 Series



RPI Part #TUK171
OEM Part #CC510010 (Tray Holder)/
CC520010 (Large Tray)/
CC520020 (Small Tray)

HOLDER AND TRAY KIT

- Includes all parts as shown
- All parts also sold separately!
- Material: Stainless steel

Fits: Chamber

Models: 3870E/EA/EK/EKA/M/MK

RPI Part #TUH172
OEM Part #CC510010
TRAY HOLDER

RPI Part #TUT173
OEM Part #CC520020




TRAY (SMALL)
 • Size: 27.21" x 11.87"

RPI Part #TUT174
OEM Part #CC520010

TRAY (LARGE)
 • Size: 27.21" x 14.43"



Keep Your Sterilizer Chambers Clean And Performing At Their Best With RPI Sterilizer Cleaners!

Fits MIDMARK®•RITTER®	Fits PELTON & CRANE	Fits TUTTNAUER
<p>RPI Part #MIC143 OEM Part #002-0396-00 (Speed Clean)</p> <p>MID-CLEAN™</p> <ul style="list-style-type: none"> • Sterilizer cleaning solution • (1) 16 oz. bottle <p>Models: Midmark® • Ritter® sterilizers</p> 	<p>RPI Part #PCC249 OEM Part #047508 (Omni Cleaner Plus™)</p> <p>PEL-CLEAN™</p> <ul style="list-style-type: none"> • Sterilizer cleaning solution • (1) 16 oz. bottle <p>Models: Pelton & Crane sterilizers</p> 	<p>RPI Part #TUC094 OEM Part #CB0010 (Chamber Brite™)</p> <p>TUTT-CLEAN™</p> <ul style="list-style-type: none"> • Sterilizer cleaner • (1) Box of 10 packets <p>Models: Most Tuttnauer® autoclaves including 1730, 2340, 2540, 3850 & 3870 Series</p> 
<p>• Also available by the case of 12 bottles! Just ask for MID-CLEAN™ (CASE) (RPI Part #MIC144)</p>	<p>• Also available by the case of 12 bottles! Just ask for PEL-CLEAN™ (CASE) (RPI Part #PCC250)</p>	<p>• Also available by the case of 12 boxes! Just ask for TUTT-CLEAN™ (CASE) (RPI Part #TUC095)</p>

RPI IS YOUR BEST SOURCE FOR TABLE TOP STERILIZER RACKS AND TRAYS!




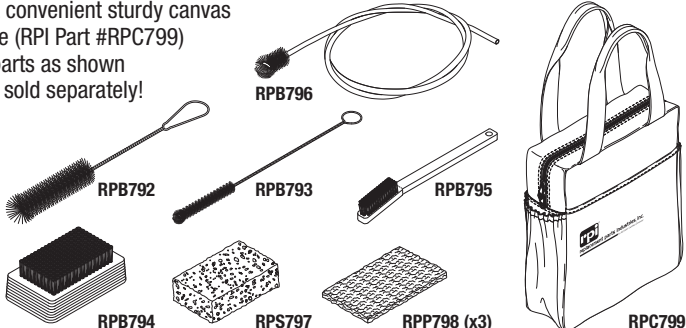
PRESENTED STANDARD
U.S. POSTAGE PAID
VAN NUYS, CA
PERMIT NO. 2399

ADDRESS SERVICES REQUESTED

625 Cochran Street • Simi Valley, California • 93065

replacement parts industries, inc. 

Keep Your Sterilizer Racks and Trays Clean and Shiny With RPI's Sci-Dry™ And Cleaning Kit!

<p><i>Repels moisture and condensation on Sterilizer Racks and Trays leaving them clean and bright!</i></p> <p>RPI Part #SCA054 OEM Part #20ZPLUS (Stat-Dri Plus™) / 80ZPLUST (Stat-Dri Plus™)</p> <p>SCI-DRY™ (2 oz.)</p> <ul style="list-style-type: none"> • Drying and rinse agent • (1) 2 oz. spray bottle <p>Models: Most Midmark®, Pelton & Crane, SciCan®, and Tuttnauer table top sterilizers</p>  <p>• Also available by the case of 12 bottles! Just ask for SCI-DRY™ (2 oz. - CASE) (RPI Part #SCA055)</p>	<p><i>Everything you need to clean the sterilizer chamber, racks and trays, the groove where the door gasket installs, and more in one convenient Cleaning Kit!</i></p> <p>RPI Part #RPK791 OEM Part # (No OEM Part # Available)</p> <p>CLEANING KIT</p> <ul style="list-style-type: none"> • Supplied in a convenient sturdy canvas Carrying Case (RPI Part #RPC799) • Includes all parts as shown • All parts also sold separately! 
---	--