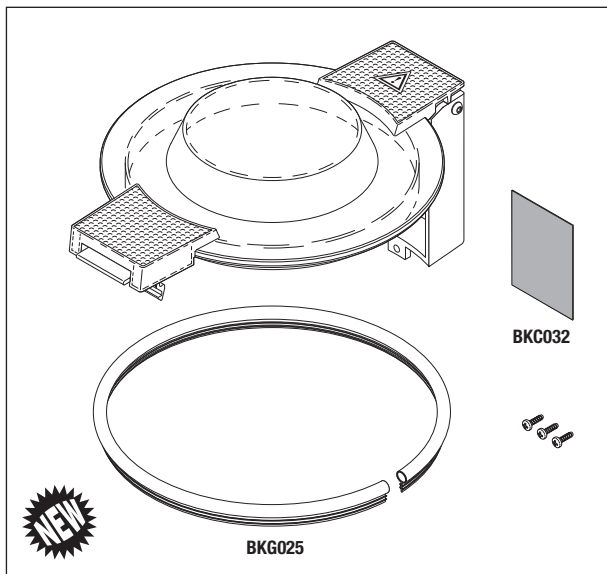


Models: **BECKMAN/IRIS:** CoagSpin (M940-22), CritSpin (M960-12), CritSpin (M961-22), CytoFuge 2 (M801-22), CytoVet (V801-22), DiffSpin (M701-22), Express 2 (M501-22), MicroPrep (G600-22), MP (M900-22), MP (M901-22), RP (M920-22), VT (V901-22) & VET Express (V501-22); and **IDEXX:** VT (V901-22)



# Introducing ... New Parts and Kits to fit StatSpin® Centrifuges!



**RPI Part #BKC032**  
**OEM Part #** (No OEM Part # Available)



**HINGE COVER**

- Size: 1.64" x 2.20"; Color: Black
  - Adhesive backing
  - Included in: Top Cover Assembly (RPI Part #BKK019)
- Fits:** Hinge Housing

**Models:**

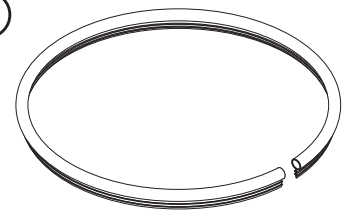
**BECKMAN/IRIS:** CoagSpin (M940-22), CritSpin (M960-12), CritSpin (M961-22), CytoFuge 2 (M801-22), CytoVet (V801-22), DiffSpin (M701-22), Express 2 (M501-22), MicroPrep (G600-22), MP (M900-22), MP (M901-22), RP (M920-22), VT (V901-22) & VET Express (V501-22); and **IDEXX:** VT (V901-22)



**BKG025**



**BKG025**  
CROSS SECTION  
SHOWN ACTUAL SIZE



**RPI Part #BKG025**  
**OEM Part #X01-004635-001**

**BULB GASKET**

- Length: 19.75"
- Included in: Top Cover Assembly (RPI Part #BKK019)

**Models:**

**BECKMAN/IRIS:** CoagSpin (M940-22), CritSpin (M960-12), CritSpin (M961-22), CytoFuge 2 (M801-22), CytoVet (V801-22), DiffSpin (M701-22), Express 2 (M501-22), MicroPrep (G600-22), MP (M900-22), MP (M901-22), RP (M920-22), VT (V901-22) & VET Express (V501-22); and **IDEXX:** VT (V901-22)

**RPI Part #BKK019**  
**OEM Part #X01-003494-001/X01-002528-00**

**TOP COVER ASSEMBLY**

- Includes all parts as shown

**Models:**

**BECKMAN/IRIS:** CoagSpin (M940-22), CritSpin (M960-12), CritSpin (M961-22), CytoFuge 2 (M801-22), CytoVet (V801-22), DiffSpin (M701-22), Express 2 (M501-22), MicroPrep (G600-22), MP (M900-22), MP (M901-22), RP (M920-22), VT (V901-22) & VET Express (V501-22); and **IDEXX:** VT (V901-22)



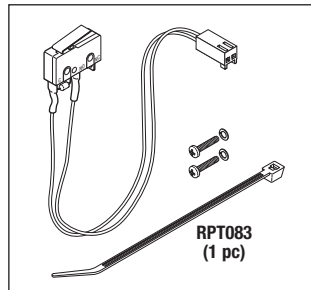
**RPI Part #BKA026**  
**OEM Part #X01-003495-001**

**SAFETY SWITCH ASSEMBLY**

- 5A@250VAC; SPST
- Includes all parts as shown

**Models:**

**BECKMAN/IRIS:** CoagSpin (M940-22), CritSpin (M960-12), CritSpin (M961-22), CytoFuge 2 (M801-22), CytoVet (V801-22), DiffSpin (M701-22), Express 2 (M501-22), MicroPrep (G600-22), MP (M900-22), MP (M901-22), RP (M920-22), VT (V901-22) & VET Express (V501-22); and **IDEXX:** VT (V901-22)



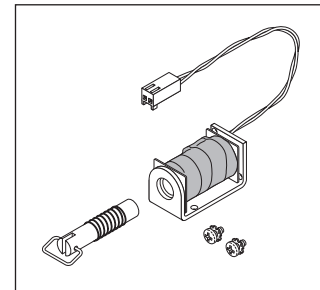
**RPI Part #BKS027**  
**OEM Part #X01-004076-001**

**SOLENOID**

- Pull style 6 VDC
- Includes all parts as shown

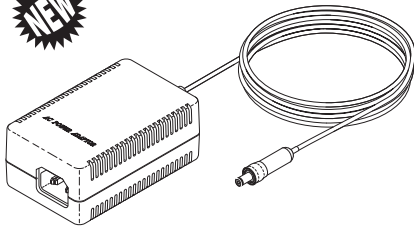
**Models:**

**BECKMAN/IRIS:** CoagSpin (M940-22), CritSpin (M960-12), CritSpin (M961-22), CytoFuge 2 (M801-22), CytoVet (V801-22), DiffSpin (M701-22), Express 2 (M501-22), MicroPrep (G600-22), MP (M900-22), MP (M901-22), RP (M920-22), VT (V901-22) & VET Express (V501-22); and **IDEXX:** VT (V901-22)





Models: **BECKMAN/IRIS:** CoagSpin (M940-22), CritSpin (M960-12), CritSpin (M961-22), CytoFuge 2 (M801-22), CytoVet (V801-22), DiffSpin (M701-22), Express 2 (M501-22), MicroPrep (G600-22), MP (M900-22), MP (M901-22), RP (M920-22), VT (V901-22) & VET Express (V501-22); and **IDEXX:** VT (V901-22)



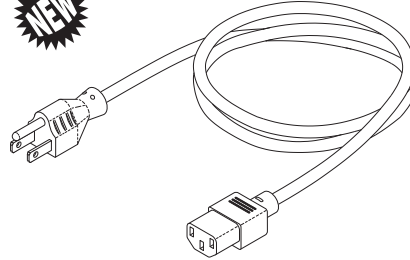
**RPI Part #BKP034**  
**OEM Part #X01-003553-001**

**POWER SUPPLY (SWITCHING)**

- Input: 100-240VAC, 1.5A, 50-60Hz
- Output: 24 VDC, 2.5A
- Input Connector: EN60320-C13
- Output Connector: 5.5 mm (.218") OD Power Plug (for 2.1 mm (.064") Pin)
- Also available: Power Cord (RPI Part #RPC895)

**Models:**

**BECKMAN/IRIS:** CoagSpin (M940-22), CritSpin (M960-12), CritSpin (M961-22), CytoFuge 2 (M801-22), CytoVet (V801-22), DiffSpin (M701-22), Express 2 (M501-22), MicroPrep (G600-22), MP (M900-22), MP (M901-22), RP (M920-22), VT (V901-22) & VET Express (V501-22); and **IDEXX:** VT (V901-22)

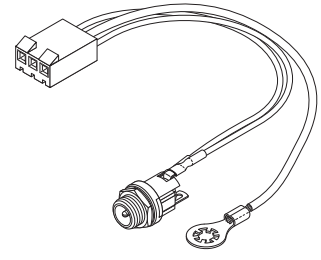


**RPI Part #RPC895**  
**OEM Part #X01-002532-001**

**POWER CORD**

- Length: 8 ft.; Color: Black
- 18/3 SJT, 60°C; 10A@125VAC
- Plug: NEMA 5-15P
- Connector: EN60320-C13
- Also available: Power Supply (Switching) (RPI Part #BKP034)

**Fits:** Power Supply



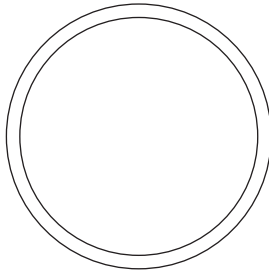
**RPI Part #BKH035**  
**OEM Part #X01-002529-001/X01-003493-001**

**POWER HARNESS**

- Size: 6.25" lg.
- Includes: Mounting hardware

**Models:**

**BECKMAN/IRIS:** CoagSpin (M940-22), CritSpin (M960-12), CritSpin (M961-22), CytoFuge 2 (M801-22), CytoVet (V801-22), DiffSpin (M701-22), Express 2 (M501-22), MicroPrep (G600-22), MP (M900-22), MP (M901-22), RP (M920-22), VT (V901-22) & VET Express (V501-22); and **IDEXX:** VT (V901-22)



Shown  
Actual Size



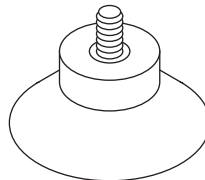
**RPI Part #BK0037**  
**OEM Part #X01-005532-001**

**O-RING (ROTOR HOLDER)**

- 3 per package
  - Material: Nitrile (Buna N), 70 Duro
  - Size: 1.239" ID x 1.379" OD x .070" C/S
- Fits:** Rotor Holder

**Models:**

**BECKMAN/IRIS:** CoagSpin (M940-22), CritSpin (M960-12), CritSpin (M961-22), CytoFuge 2 (M801-22), CytoVet (V801-22), DiffSpin (M701-22), Express 2 (M501-22), MicroPrep (G600-22), MP (M900-22), MP (M901-22), RP (M920-22), VT (V901-22) & VET Express (V501-22); and **IDEXX:** VT (V901-22)



**RPI Part #RPF894**  
**OEM Part #X01-004288-001**

**SUCTION FEET**

- 4 per package
- Material: Black isoprene
- Size: 1.00" dia. x .44" lg. with #8-32 x .25" lg. stud

**Models:**

**BECKMAN/IRIS:** DiffSpin (M701-22), Express 2 (M501-22), MP (M901-22), VT (V901-22) & VET Express (V501-22); and **IDEXX:** VT (V901-22)



**RPI Part #RPB896**  
**OEM Part #X01-002542-001**

**BUMPER / FOOT**

- 4 per package
- Material: Black non-marking polyurethane
- Size: .44" dia. x .20" h
- Adhesive backing
- Included in: Latch Kit (RPI Part #BKK020), Latch Kit (RPI Part #BKK021), Latch Kit (RPI Part #BKK022), and Latch Kit (RPI Part #BKK023)

**Models:**

**BECKMAN/IRIS:** CoagSpin (M940-22), CritSpin (M960-12), CritSpin (M961-22), CytoFuge 2 (M801-22), CytoVet (V801-22), MicroPrep (G600-22), MP (M900-22) & MP (M901-22); and **IDEXX:** VT (V901-22)



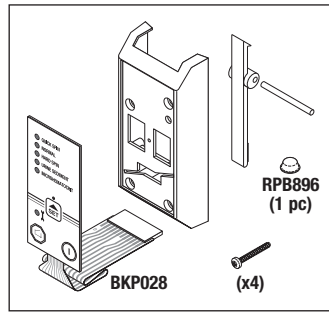
**RPI Part #BKK020**  
**OEM Part #** (No OEM Part # Available)

**LATCH KIT**

- Includes all parts as shown

**Models:**

**BECKMAN/IRIS:** VT (V901-22); and  
**IDEXX:** VT (V901-22)



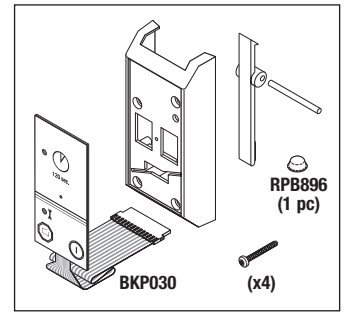
**RPI Part #BKK022**  
**OEM Part #** (No OEM Part # Available)

**LATCH KIT**

- Includes all parts as shown

**Model:**

**BECKMAN/IRIS:** CritSpin (M961-22)



**RPI Part #BKP028**  
**OEM Part #X01-003943-001**

**MEMBRANE PANEL**

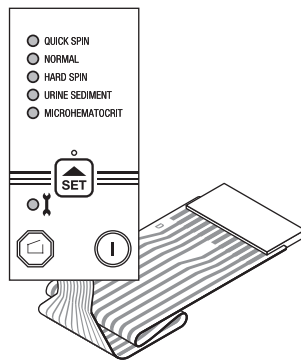
- Size: 1.65" W x 3.47" L

- Adhesive backing

**Fits:** Latch Housing

**Models:**

**BECKMAN/IRIS:** VT (V901-22); and  
**IDEXX:** VT (V901-22)



**RPI Part #BKP030**  
**OEM Part #X01-005203-001**

**MEMBRANE PANEL**

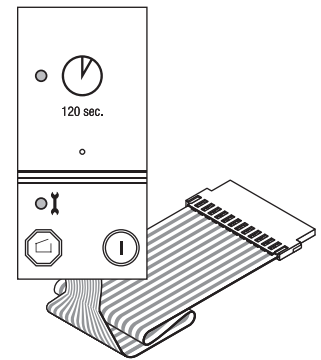
- Size: 1.65" W x 3.47" L

- Adhesive backing

**Fits:** Latch Housing

**Model:**

**BECKMAN/IRIS:** CritSpin (M961-22)



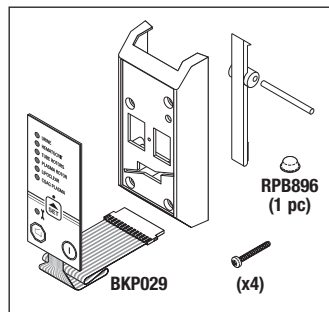
**RPI Part #BKK021**  
**OEM Part #** (No OEM Part # Available)

**LATCH KIT**

- Includes all parts as shown

**Model:**

**BECKMAN/IRIS:** MP (M901-22)



**RPI Part #BKP029**  
**OEM Part #X01-005171-001**

**MEMBRANE PANEL**

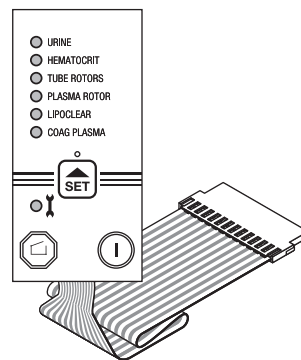
- Size: 1.65" W x 3.47" L

- Adhesive backing

**Fits:** Latch Housing

**Model:**

**BECKMAN/IRIS:** MP (M901-22)



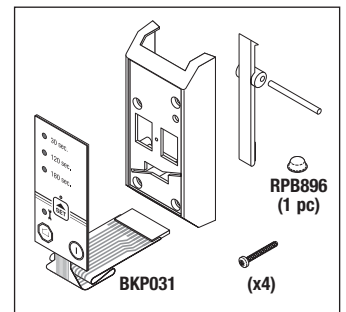
**RPI Part #BKK023**  
**OEM Part #** (No OEM Part # Available)

**LATCH KIT**

- Includes all parts as shown

**Models:**

**BECKMAN/IRIS:** Express 2 (M501-22)  
 & Vet Express (V501-22)



**RPI Part #BKP031**  
**OEM Part #X01-003944-001**

**MEMBRANE PANEL**

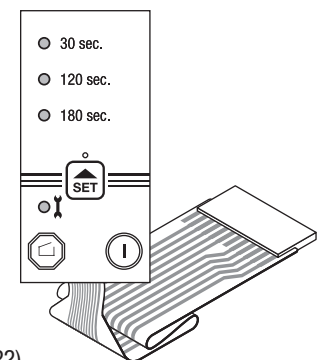
- Size: 1.65" W x 3.47" L

- Adhesive backing

**Fits:** Latch Housing

**Models:**

**BECKMAN/IRIS:** Express 2 (M501-22)  
 & Vet Express (V501-22)





replacement parts industries, inc.

20338 Corisco Street • Chatsworth, California • 91311

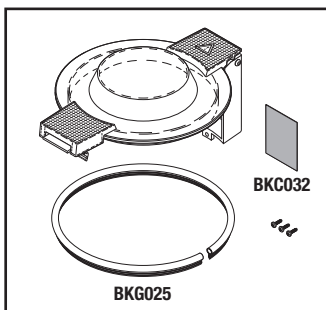
PRESORTED STANDARD  
U.S. POSTAGE PAID  
VAN NUYS, CA  
PERMIT NO. 2399

ADDRESS SERVICES REQUESTED

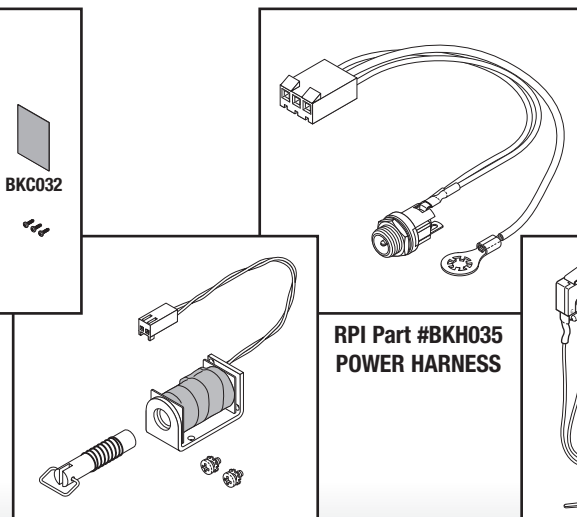
CALL (800) 221-9723 • FAX (818) 882-7028 • EMAIL [order@rpiparts.com](mailto:order@rpiparts.com) • WEBSITE [www.rpiparts.com](http://www.rpiparts.com)



Introducing ... New Parts and Kits  
to fit StatSpin® Centrifuges!

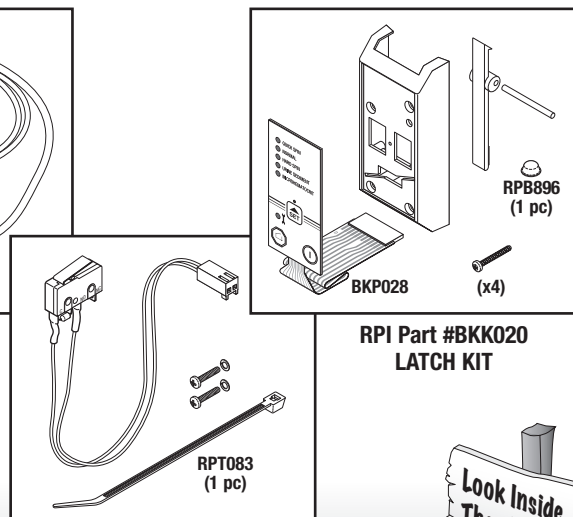


RPI Part #BKK019  
TOP COVER ASSEMBLY



RPI Part #BKH035  
POWER HARNESS

RPI Part #BKS027  
SOLENOID



RPI Part #BKA026  
SAFETY SWITCH ASSEMBLY

RPI Part #BKK020  
LATCH KIT

