



## MORE NEW PARTS TO FIT STERRAD NX, 100NX & 100S

### HYDROGEN PEROXIDE STERILIZATION SYSTEMS!

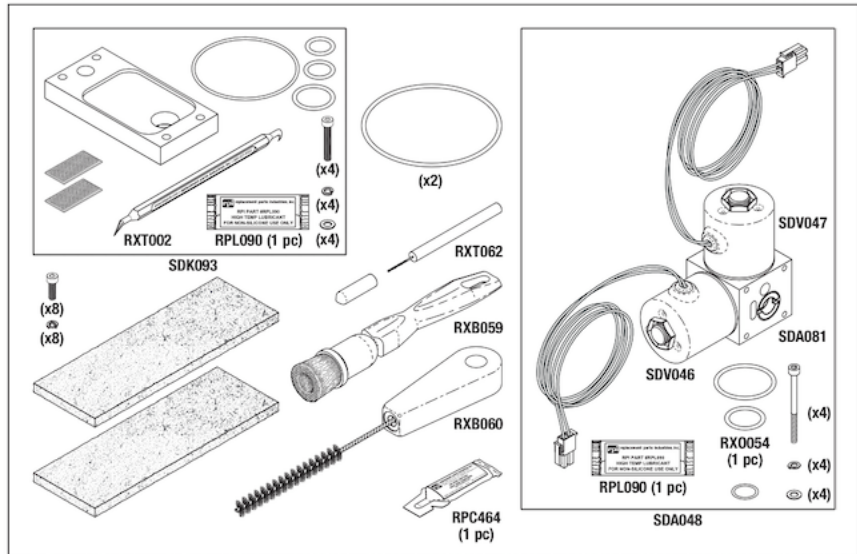


**RPI Part #SDK050**  
**OEM Part #02-52410-X-XXX**

#### VAPORIZER/CONDENSER SERVICE KIT

- Includes: Insulation Block Kit (RPI Part #SDK093), Valve Manifold Assembly (RPI Part #SDA048), Wire Brush (Scrubbing) (RPI Part #RXB059), Wire Brush (1/2" Dia.) (RPI Part #RXB060), Cleanout Tool (.030") (RPI Part #RXT062), (1 pc) Heat Sink Compound (RPI Part #RPC464), (2) O-Rings, (2) cleaning pads and mounting hardware
- Also available: Vacuum Test Gauge Kit (RPI Part #SDK112), Pliers (Soft Jaw) (RPI Part #RXT005) and Insulation Blanket (RPI Part #SDB094)

**Fits:** Vaporizer/Condenser Assembly  
**Models:** NX

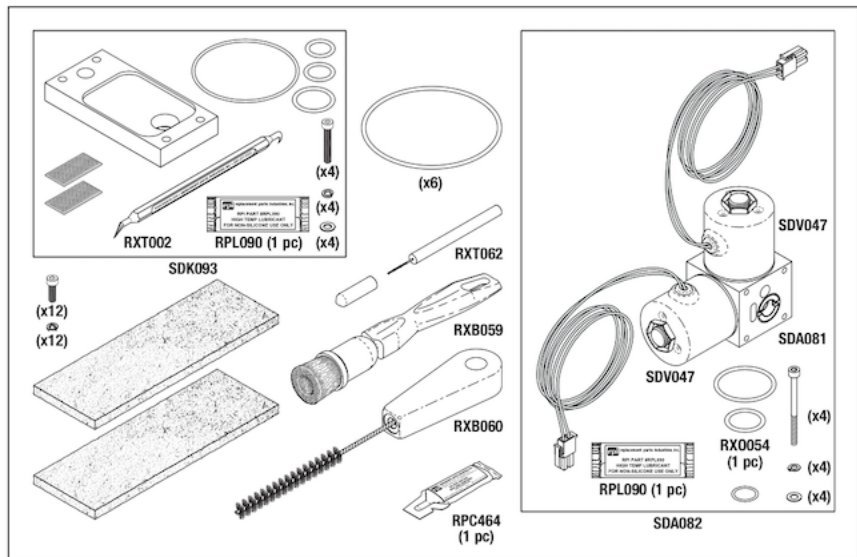


**RPI Part #SDK051**  
**OEM Part # (No OEM Part # Available)**

#### VAPORIZER/CONDENSER SERVICE KIT

- Includes: Insulation Block Kit (RPI Part #SDK093), Valve Manifold Assembly (RPI Part #SDA082), Wire Brush (Scrubbing) (RPI Part #RXB059), Wire Brush (1/2" Dia.) (RPI Part #RXB060), Cleanout Tool (.030") (RPI Part #RXT062), (1 pc) Heat Sink Compound (RPI Part #RPC464), (6) O-Rings, (2) Cleaning pads and mounting hardware
- Also available: Vacuum Test Gauge Kit (RPI Part #SDK112), Pliers (Soft Jaw) (RPI Part #RXT005) and Insulation Blanket (RPI Part #SDB097)

**Fits:** Vaporizer/Condenser Assembly  
**Models:** 100NX



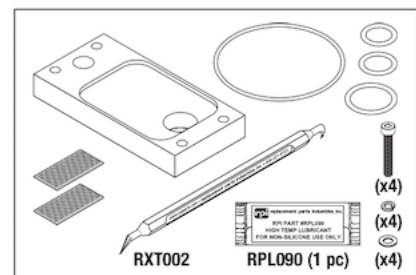
**RPI Part #SDK093**  
**OEM Part # (No OEM Part # Available)**



#### INSULATION BLOCK KIT

- Includes: Insulation block, (1 pc) High Temperature lubricant (RPI Part #RPL090), O-Ring Removal Tool (RPI Part #RXT002), (2 pcs) velcro pads (hook only), (4) O-Rings and mounting hardware
- Also available: Insulation Blanket (RPI Part #SDB094), Insulation Blanket (RPI Part #SDB097), Vacuum Test Gauge Kit (RPI Part #SDK112) and Pliers (Soft Jaw) (RPI Part #RXT005)

**Fits:** Vaporizer/Condenser Assembly  
**Models:** NX & 100NX



**replacement parts industries, inc.**

CALL (800) 221-9723 • FAX (818) 882-7028 • EMAIL [order@rpiparts.com](mailto:order@rpiparts.com) • WEBSITE [www.rpiparts.com](http://www.rpiparts.com)

The above parts are manufactured by Replacement Parts Industries, Inc. to fit the equipment noted. All product names used in this document are trademarks or registered trademarks of their respective holders. Flyer Code 1905SD Rtd SHOW 07/20

**RPI Part #SDK090**

OEM Part # (No OEM Part # Available)

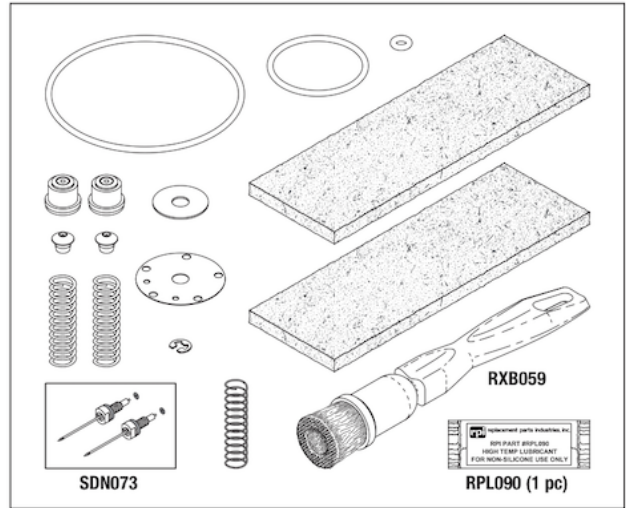


**INJECTOR ASSEMBLY REBUILD KIT**

- Includes: Wire Brush (Scrubbing) (RPI Part #RXB059), (1 pkg) Needle H2O2 Transfer (RPI Part #SDN073), (1 pc) High Temp Lubricant (RPI Part #RPL090), (2) needle guides and bushings, (3) compression springs, diaphragm, sealing washer, (3) O-Rings, (2) cleaning pads and retaining ring

**Fits:** Injector Assembly

**Models:** 100S



**RPI Part #SDK091**

OEM Part # (No OEM Part # Available)



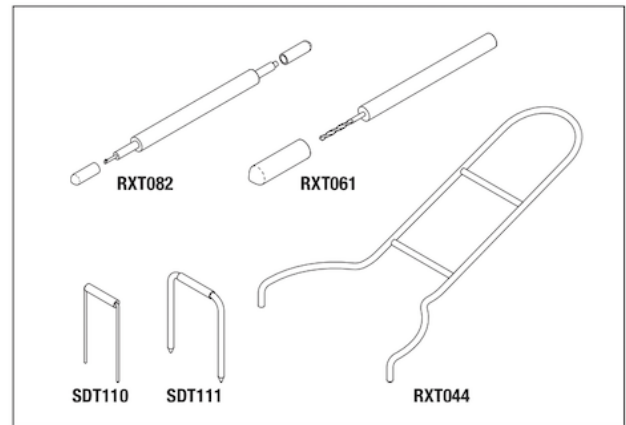
**INJECTOR ASSEMBLY TOOL KIT**

- Includes: Needle Aligner (RPI Part #SDT110), Bushing Retainer (RPI Part #SDT111), O-Ring Removal/Gage Tool (RPI Part #RXT082), Cleanout Tool (.067") (RPI Part #RXT061) and Spanner Wrench (RPI Part #RXT044)

- Custom tools used to install the needles into the Injector Valve Assembly and disassemble/clean the Injector Base

**Fits:** Injector Valve Assembly

**Models:** 100S



**RPI Part #RXT044**

OEM Part # (No OEM Part # Available)

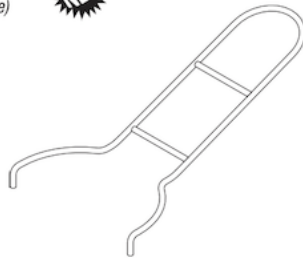


**SPANNER WRENCH**

- Size: 6.25" lg. x 2.63" span
- Material: .120" dia. stainless steel spring wire

**Fits:** Injector Housing

**Models:** 100S



**RPI Part #RXT061**

OEM Part # (No OEM Part # Available)

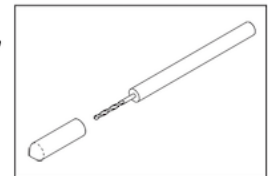


**CLEANOUT TOOL (.067")**

- Size: .067" dia. drill bit x 1/4" dia., plastic body
- Includes: Protective vinyl cap

**Fits:** Injector Valve Assembly

**Models:** 100S



**RPI Part #RXT082**

OEM Part # (No OEM Part # Available)

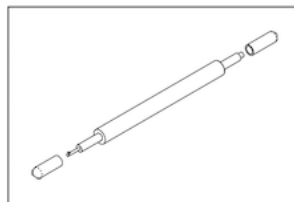


**O-RING REMOVAL/GAGE TOOL**

- Size: 3.75" lg. x 1/4" dia., plastic body
- Includes: (2) Protective vinyl caps
- Used to check for existing O-Rings and remove them from the Injector Assembly.

**Fits:** Injector Assembly

**Models:** 100S



**RPI Part #SDT110**

OEM Part # (No OEM Part # Available)



**NEEDLE ALIGNER**

- Size: 1.50" L x .75" W
- Material: Stainless steel

**Fits:** Injector Assembly Needle Bushings

**Models:** 100S



**RPI Part #SDT111**

OEM Part # (No OEM Part # Available)



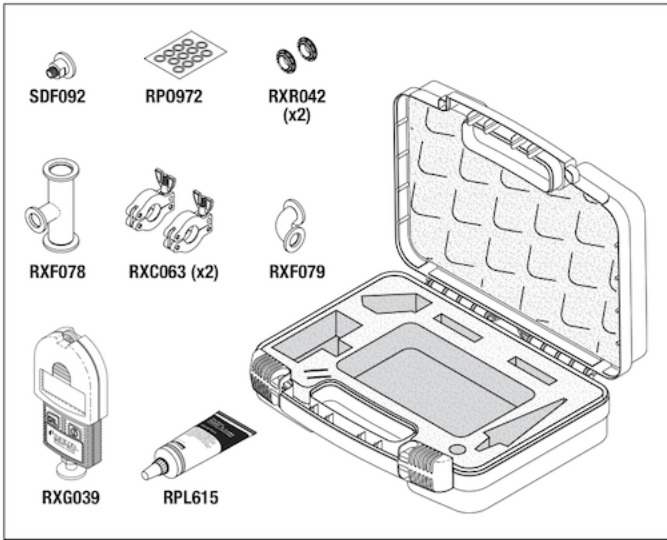
**BUSHING RETAINER**

- Size: 1.50" L x 1.12" W
- Material: Stainless steel

**Fits:** Injector Assembly

**Models:** 100S





**RPI Part #SDK112**

**OEM Part #** (No OEM Part # Available)



**VACUUM TEST GAUGE KIT**

- Includes all parts as shown
- All parts also sold separately

**Fits:** Pressure Control Manifold

**Models:** NX, 100NX & 100S

**RPI Part #RXG039**

**OEM Part #35-04264-001**



**VACUUM TEST GAUGE**

- Includes: Gauge, 9VDC battery, and storage case
- Brand: Inficon
- Range: Atmosphere to 1 Micron
- Display units: Microns, Pascal, Millibar and Torr
- Also available: Centering Ring (16KF) (RPI Part #RXR042) and Clamp (10KF & 16KF) (RPI Part #RXC063)

**Fits:** 16KF flange

**Models:** NX, 100NX & 100S



**RPI Part #RXR042**

**OEM Part #30-09399-0-001**

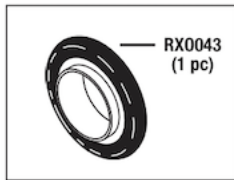


**CENTERING RING (16KF)**

- Size: 16KF (16mm, "KF" style)
- Material: 303 Stainless steel hub with (1 pc) Viton® (FKM) O-Ring (RPI Part #RX0043)
- Also available: Clamp (10KF & 16KF) (RPI Part #RXC063)

**Fits:** K16 Flange

**Models:** NX, 100NX & 100S



**RPI Part #RX0043**

**OEM Part #** (No OEM Part # Available)

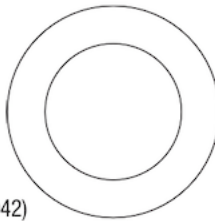


**O-RING**

- 3 per package
- Size: 18mm (.709") ID x 28mm (1.102") OD x 5mm (.197") C/S
- Material: Viton® (FKM); 75 Duro
- Included in: Centering Ring (16KF) (RPI Part #RXR042)

**Fits:** 16KF Centering Ring

**Models:** NX, 100NX, 100S



**RPI Part #RXC063**

**OEM Part #** (No OEM Part # Available)

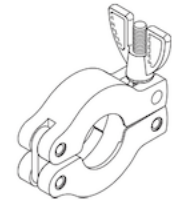


**CLAMP (10KF & 16KF)**

- Size: fits 10KF and 16KF fittings
- Material: Aluminum body
- Also available: Centering Ring (16KF) (RPI Part #RXR042)

**Fits:** Vacuum Pump Assembly

**Models:** 100S, 100NX & NX



**RPI Part #SDF092**

**OEM Part #30-09256-X-001**

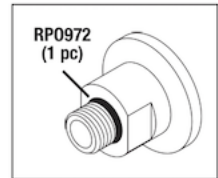


**ADAPTOR FITTING**

- Size: 16KF flange x 7/16-20 thread
- Material: Stainless steel with (1pc) Viton® (FKM) O-Ring (RPI Part #RP0972)
- Also available: Centering Ring (16KF) (RPI Part #RXR042) and Clamp (10KF & 16KF) (RPI Part #RXC063)

**Fits:** Vacuum Manifold

**Models:** NX & 100NX



**RPI Part #RP0972**

**OEM Part #** (No OEM Part # Available)



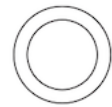
**Industry Part #AS568-012**

**O-RING**

- 12 per package
- Size: .364" ID x .504" OD x .070" C/S
- Material: Viton® (FKM); 75 Duro

**Fits:** Adapter Fitting and Hex Port Plug

**Models:** NX & 100NX



SHOWN ACTUAL SIZE

**RPI Part #RXF078**

**OEM Part #** (No OEM Part # Available)



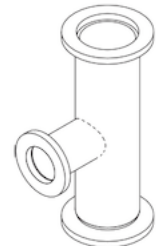
**VACUUM REDUCER TEE**

(1" x 1" x 3/4")

- Connection: fits 25KF x 25KF x 16KF flange
- Material: Stainless steel

**Fits:** Vacuum Pump Assembly

**Models:** 100S



**RPI Part #RXF079**

**OEM Part #** (No OEM Part # Available)



**VACUUM RADIUS ELBOW (3/4")**

- Connection: 16KF flange
- Material: Stainless steel

**Fits:** Vacuum Pump Assembly

**Models:** 100S



**RPI Part #RPL615**

**OEM Part #** (No OEM Part # Available)

**O-RING LUBRICANT**

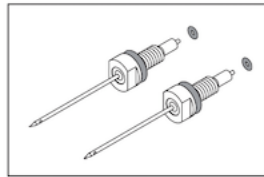
- 2 oz. tube
- Non-Toxic; Super-O-Lube® made by Parker
- Temperature Range: -65° to 400° F
- Can be used on silicone and non-silicone rubber materials

**Models:** NX, 100NX & 100S



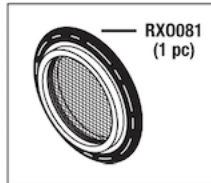
**RPI Part #SDN073****OEM Part #** (No OEM Part # Available)**NEEDLE H202 TRANSFER**

- 2 per package
- Includes: (4) O-rings
- Fits:** Injector Valve Assembly
- Model:** 100S

**RPI Part #SDF098****OEM Part #** #21-01104-040**SCREEN FILTER**

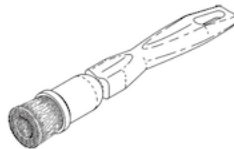
- Size: 40KF (40mm, "KF" style)
- Material: Stainless steel centering ring with a 30 mesh stainless steel screen and (1 pc) Viton® (FKM) O-Ring (RPI Part #RX0081)

**Fits:** Vacuum Assembly  
**Models:** 100NX & 100S

**RPI Part #RXB059****OEM Part #** (No OEM Part # Available)**WIRE BRUSH (SCRUBBING)**

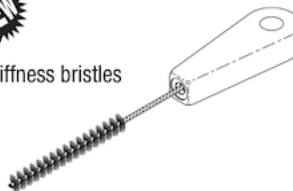
- Size: 6" body with 1" dia. bristle
- Material: Galvanized stainless steel bristles

**Fits:** Vaporizer Service Kit  
**Models:** NX, 100NX & 100S

**RPI Part #RXB060****OEM Part #** (No OEM Part # Available)**WIRE BRUSH (1/2" DIA)**

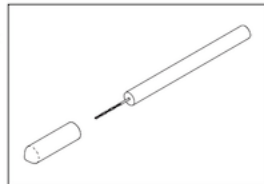
- Size: 8" body with 1/2" dia. medium stiffness bristles
- Material: Brass bristles

**Fits:** Vaporizer Service Kit  
**Models:** NX & 100NX

**RPI Part #RXT062****OEM Part #** (No OEM Part # Available)**CLEANOUT TOOL (.030")**

- Size: .030" dia. drill bit x 1/4" dia., plastic body
- Includes: Protective vinyl cap

**Fits:** Vaporizer/Condenser Assembly  
**Models:** NX & 100NX

**RPI Part #RPC464****OEM Part #** (No OEM Part # Available)**HEAT SINK COMPOUND**

- 5 per package; Size: .07 fl. oz (2ml)
- Non-Silicone based thermal grease

**Models:** NX & 100NX

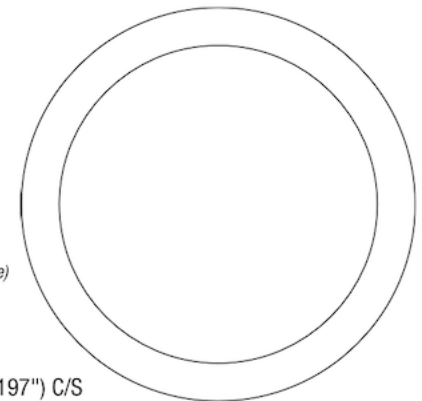
**RPI Part #RPL090****OEM Part #** (No OEM Part # Available)**HIGH TEMP LUBRICANT**

- 5 per package; 1/2 gram per unit
- Temperature range: -40°F to +400°F (-40°C to +204°C)

**Models:** NX, 100NX & 100S

**RPI Part #RX0081****OEM Part #** (No OEM Part # Available)**O-RING**

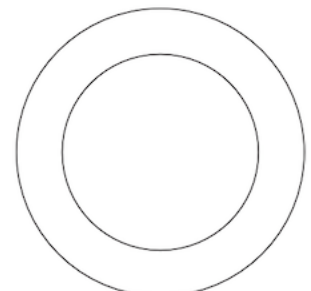
- 3 per package
  - Size: 42mm (1.653") ID x 52mm (2.047") OD x 5mm (.197") C/S
  - Material: Viton® (FKM); 75 Duro
- Fits:** 40KF Centering Ring  
**Models:** 100S



SHOWN  
ACTUAL SIZE

**RPI Part #RX0080****OEM Part #** (No OEM Part # Available)**O-RING**

- 3 per package
  - Size: 28mm (1.020") ID x 38mm (1.496") OD x 5mm (.197") C/S
  - Material: Viton® (FKM); 75 Duro
- Fits:** 25KF Centering Ring  
**Models:** 100S



SHOWN  
ACTUAL SIZE

**RPI Part #RXT002****OEM Part #** (No OEM Part # Available)**O-RING REMOVAL TOOL**

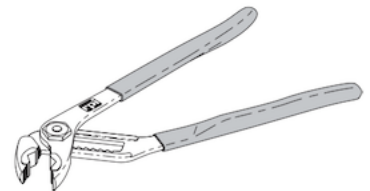
- Made from Nylon® to avoid scratching delicate O-Ring sealing surfaces
- Size: 5.5"

**Models:** NX, 100NX & 100S

**RPI Part #RXT005****OEM Part #** (No OEM Part # Available)**PLIERS (SOFT JAW)**

- These adjustable pliers are ideal for gripping and protecting delicate surfaces without scarring.
- 1.75" max opening; 10" lg.
- Also available: Replacement Pads (RPI Part #RXT006)

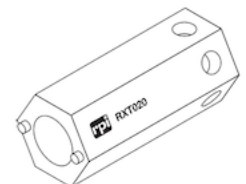
**Models:** NX, 100NX & 100S

**RPI Part #RXT020****OEM Part #** (No OEM Part # Available)**SPANNER WRENCH**

- Size: 1.25" Hex x 3.00" lg.
- Material: Blue anodized aluminum
- Note: Holes through hex body allow use of a screwdriver as a leverage handle.
- Used to install/rebuild Solenoid Valves (RPI Part #'s SDV031, SDV049, SDV096 and SDK052)

**Fits:** Vent Valve

**Models:** 100S, NX & 100NX



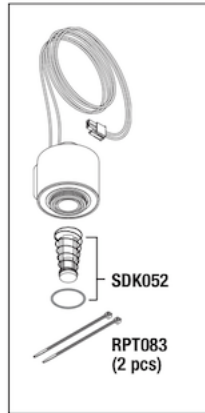


**RPI Part #SDV031**  
**OEM Part #** (No OEM Part # Available)

**SOLENOID VALVE**

- 12VDC, 16W (10Ω)
- Material: Viton® (FKM) seals
- Also available: Solenoid Valve Rebuild Kit (RPI Part #SDK052) and Spanner Wrench (RPI Part #RXT020)

**Fits:** Vent Valve Assembly  
**Models:** 100NX

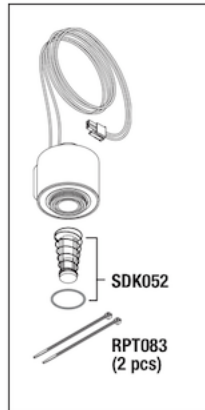


**RPI Part #SDV049**  
**OEM Part #** (No OEM Part # Available)

**SOLENOID VALVE**

- 24VDC, 15W (39Ω)
- Material: Viton® (FKM) seals
- Also available: Solenoid Valve Rebuild Kit (RPI Part #SDK052) and Spanner Wrench (RPI Part #RXT020)

**Fits:** Vent Valve Assembly  
**Models:** NX

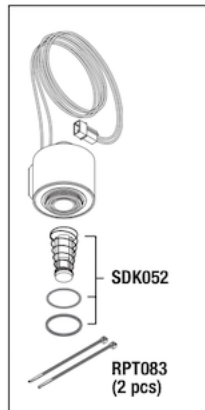


**RPI Part #SDV096**  
**OEM Part #** (No OEM Part # Available)

**SOLENOID VALVE**

- 120VAC, 18W (41Ω)
- Material: Viton® (FKM) seals
- Also available: Solenoid Valve Rebuild Kit (RPI Part #SDK052) and Spanner Wrench (RPI Part #RXT020)

**Fits:** Vacuum Manifold Assembly and Oil Recovery Valve  
**Models:** 100S

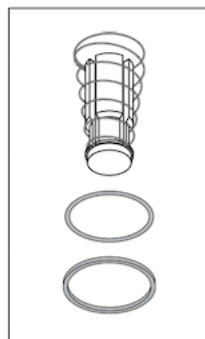


**RPI Part #SDK052**  
**OEM Part #** (No OEM Part # Available)

**SOLENOID VALVE REBUILD KIT**

- Viton® (FKM) seals
- Includes all parts as shown
- Included in: Solenoid Valve (RPI Part #SDV031), Solenoid Valve (RPI Part #SDV049) and Solenoid Valve (RPI Part #SDV096)
- Also available: Spanner Wrench (RPI Part #RXT020)

**Fits:** Solenoid Valve  
**Models:** NX, 100NX & 100S



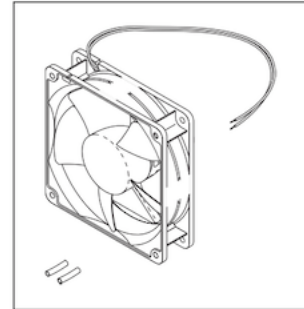
**RPI Part #SDF072**  
**OEM Part #** (No OEM Part # Available)

**FAN**

- 24VDC; 4300 RPM
- Size: 4.68" Sq. x 1.50" Thk.
- Material: Glass reinforced plastic, black finish; ball bearing construction
- Includes: heat shrink tubing

**Fits:** Vaporizer/Condenser Assembly

**Models:** 100NX



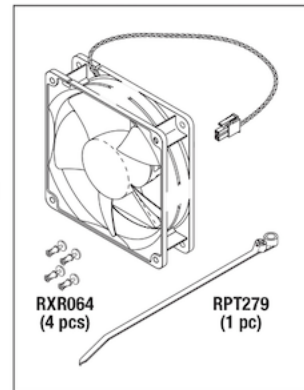
**RPI Part #SDF095**  
**OEM Part #** (No OEM Part # Available)

**FAN**

- 24VDC; 2750 RPM
- Size: 4.72" Sq. x 1.25" Thk.
- Material: Glass reinforced plastic, black finish; ball bearing construction
- Includes: (1 pc) Cable Tie (8" Black) (RPI Part #RPT279) and (4 pcs) Rivet (RPI Part #RXR064)

**Fits:** Vaporizer/Condenser Assembly

**Models:** NX



**RPI Part #RXR064**  
**OEM Part #** (No OEM Part # Available)

**RIVET**

- 6 per package
- Fits hole dia.: .163"; Panel Thk: .188"
- Material: Nylon® Color: Black
- Size: .250" dia. head x .220" lg.
- Included in: Fan (RPI Part #SDF095)

**Fits:** Vaporizer/Condenser Fan

**Models:** NX



**RPI Part #RPT279**  
**OEM Part #** (No OEM Part # Available)

**CABLE TIE (8" BLACK)**

- 25 per package
- With #10 mounting hole
- Fits:** Vaporizer/Condenser Fan

**Models:** NX & 100NX



**RPI Part #RPT083**  
**OEM Part #** (No OEM Part # Available)

**CABLE TIE (4" WHITE)**

- 25 per package
- Material: Nylon®
- Models:** NX, 100NX & 100S





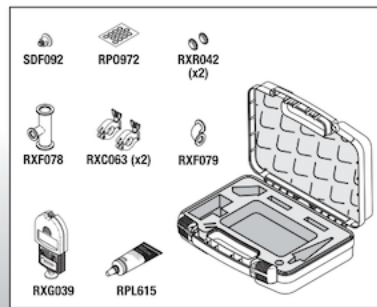
# MORE NEW PARTS TO FIT STERRAD NX, 100NX & 100S

## HYDROGEN PEROXIDE STERILIZATION SYSTEMS!

**Now In Stock and Ready to Ship:**

- Fans
- Injector Assembly Rebuild Kit
- Injector Assembly Tool Kit
- Insulation Blankets
- Insulation Block Kit
- Screen Filter
- Solenoid Valves
- Solenoid Valve Rebuild Kit
- Specialty Tools
- Vacuum Test Gauge Kit
- Vaporizer/Condenser Service Kits
- and more!

**See inside for all of the new parts RPI offers to fit Sterrad NX, 100NX and 100S!**



VACUUM TEST GAUGE KIT (RPI Part #SDK112)

### NEW PARTS TO FIT STERRAD NX, 100NX, & 100S HYDROGEN PEROXIDE STERILIZATION SYSTEMS!

ADDRESS SERVICES REQUESTED

PERMIT NO. 2399  
VAN NUYS, CA  
U.S. POSTAGE PAID  
PRESORTED STANDARD

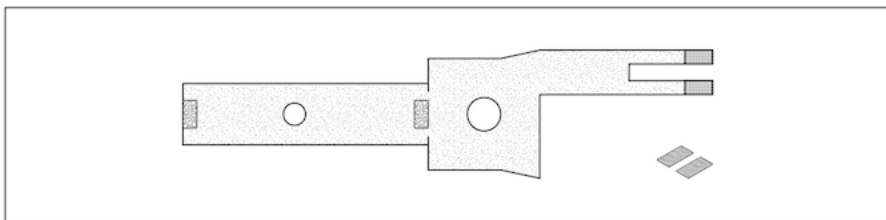
**r.p.i.**  
replacement parts industries, inc.  
625 Cochran Street • Simi Valley, California • 93065

**RPI Part #SDB094**  
**OEM Part #** (No OEM Part # Available)



#### INSULATION BLANKET

- Size: 5.0" Wide x 11.00" Long x 3/32" Thick
  - Material: Flame retardant Aramid®
  - Includes: (2) Velcro strips (hook only)
- Fits:** Vaporizer/Condenser Assembly  
**Models:** NX



**RPI Part #SDB097**  
**OEM Part #** (No OEM Part # Available)



#### INSULATION BLANKET

- Size: 5.0" Wide x 24.75" Long x 3/32" Thick
  - Material: Flame retardant Aramid®
  - Includes: (2) Velcro strips (hook only)
- Fits:** Vaporizer/Condenser Assembly  
**Models:** 100NX

