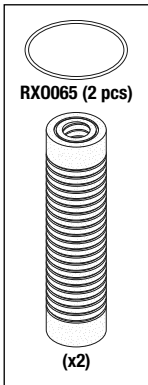

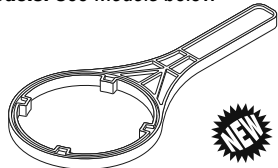
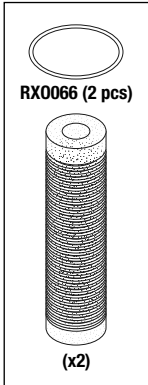

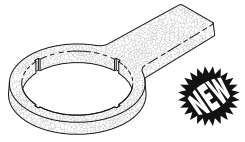


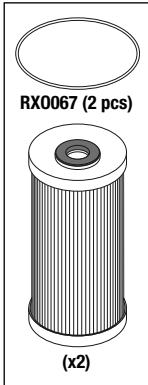
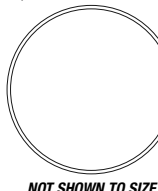
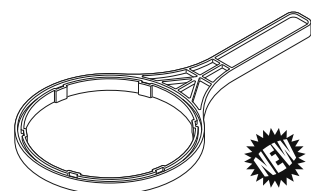
# New Parts For Utility Room Water Control Systems!

<p><b>RPI Part #WCE003</b>  <b>OEM Part #53035; PFM85240;</b>  <b>77000300; WFE-750</b></p> <p><b>FILTER ELEMENT (5 MICRON)</b></p> <ul style="list-style-type: none"> <li>• 2 per package</li> <li>• Size: 2.50" OD x 9.88" lg.</li> <li>• Includes all parts as shown and PM Stickers</li> <li>• Recommended annual replacement for the Filter Element</li> </ul> <p><b>Fits:</b> 3/4" Filter Housing Assembly  <b>Models:</b> See <i>Models</i> below</p>		<p><b>RPI Part #RX0065</b>  <b>OEM Part #53106;</b>  <b>MRP70950; 77007010</b></p> <p><b>O-RING</b></p> <ul style="list-style-type: none"> <li>• 2 per package</li> <li>• Size: 3.859" ID x 4.137" OD x .139" C/S</li> <li>• Material: Nitrile (Buna-N), 70 Duro</li> </ul> <p><b>Fits:</b> 3/4" Filter Housing Assembly  <b>Models:</b> See <i>Models</i> below</p>	 <p>NOT SHOWN TO SIZE</p>	<p><b>RPI Part #WCT007</b>  <b>OEM Part #MMS71173;</b>  <b>7700069</b></p> <p><b>SPANNER WRENCH</b></p> <ul style="list-style-type: none"> <li>• Wrench for 4.83" OD bowl</li> </ul> <p><b>Fits:</b> 4.83" ID Filter Housing Assembly  <b>Models:</b> See <i>Models</i> below</p>	
--	---	--	---	---	---

**Models:** Air Techniques: 53020 & 53020-1; Apollo/Midmark: ASAHWFB34, ASAHWFB34B, ASAHWFB34C, ASAWCFB34, ASAWCFB34B, ASAWCFB34C, ASAWFB34, ASAWFB34B & ASAWFB34C; Matrx Medical: FBR-34R; Midmark: 77002146; Tech West: WB-750, WB-750-RC, WBF-750 & WBF-750-RC

<p><b>RPI Part #WCE004</b>  <b>OEM Part #64520006</b></p> <p><b>FILTER ELEMENT (5 MICRON)</b></p> <ul style="list-style-type: none"> <li>• 2 per package</li> <li>• Size: 2.50" OD x 9.88" lg.</li> <li>• Includes all parts as shown and PM Stickers</li> <li>• Recommended annual replacement for the Filter Element</li> </ul> <p><b>Fits:</b> 3/4" Filter Housing Assembly  <b>Models:</b> See <i>Models</i> below</p>		<p><b>RPI Part #RX0066</b>  <b>OEM Part # (No OEM Number Available)</b></p> <p><b>O-RING</b></p> <ul style="list-style-type: none"> <li>• 2 per package</li> <li>• Size: 3.484" ID x 3.762" OD x .139" C/S</li> <li>• Material: Nitrile (Buna-N), 70 Duro</li> </ul> <p><b>Fits:</b> 3/4" Filter Housing Assembly  <b>Models:</b> See <i>Models</i> below</p>	 <p>NOT SHOWN TO SIZE</p>	<p><b>RPI Part #WCT008</b>  <b>OEM Part # (No OEM Number Available)</b></p> <p><b>SPANNER WRENCH</b></p> <ul style="list-style-type: none"> <li>• Wrench for 3.86" OD bowl</li> </ul> <p><b>Fits:</b> 3.86" ID Filter Housing Assembly  <b>Models:</b> See <i>Models</i> below</p>	
--	--	---	---	--	---

**Models:** DentalEZ/Custom Air/Ramvac: WC110, WC210 & WC230

<p><b>RPI Part #WCE010</b>  <b>OEM Part # 53153; PFM85241;</b>  <b>77000473; 64520012; WPE-100</b></p> <p><b>FILTER ELEMENT (5 MICRON)</b></p> <ul style="list-style-type: none"> <li>• 2 per package</li> <li>• Size: 4.50" OD x 9.75" lg.</li> <li>• Includes all parts as shown and PM Stickers</li> <li>• Recommended annual replacement for the Filter Element</li> </ul> <p><b>Fits:</b> 1", 1-1/4", and 1-1/2" Filter Housing Assembly  <b>Models:</b> See <i>Models</i> below</p>		<p><b>RPI Part #RX0067</b>  <b>OEM Part #53172-1; MRP70951;</b>  <b>65977200; 64553032</b></p> <p><b>O-RING</b></p> <ul style="list-style-type: none"> <li>• 2 per package</li> <li>• Size: 5.510" ID x 5.850" OD x .170" C/S</li> <li>• Material: Nitrile (Buna-N), 70 Duro</li> </ul> <p><b>Fits:</b> 1", 1-1/4", and 1-1/2" Filter Housing Assembly  <b>Models:</b> See <i>Models</i> below</p>	 <p>NOT SHOWN TO SIZE</p>	<p><b>RPI Part #WCT012</b>  <b>OEM Part #77000063</b></p> <p><b>SPANNER WRENCH</b></p> <ul style="list-style-type: none"> <li>• Wrench for 6.05" OD bowl</li> </ul> <p><b>Fits:</b> 6.05" ID Filter Housing Assembly  <b>Models:</b> See <i>Models</i> below</p>	
---	---	--	---	--	---

**Models:** Air Techniques: 53170 & 53171; Apollo/Midmark®: ASAWFB100, ASAWFB100B, ASAWFB100C, ASAWFB125, ASAWFB125C, ASAWFB150 & ASAWFB125C; DentalEZ: WC-300, WC-310, WC-400 & WC-410; Matrx Medical: FBP-100R, FBP-125R & FBP-150R; Midmark®: 77002147, 77002148 & 77002149; Tech West: WBF-100 & WBF-100-RC;