



# It's Back ... Reintroducing The Manual Fill-Vent Valve to fit Midmark® • Ritter® 7 & M7 Autoclaves

RPI Part #RCV052  
OEM Part #002-0247-00



### FILL-VENT VALVE

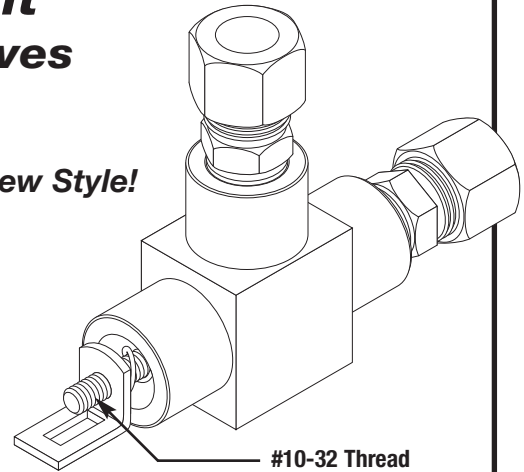
- Material: Brass body, EP seals
- Includes (x2) 3/8" Male Connector Fittings and "L" Bracket
- Also available, Valve Stem Kit (RPI Part #RCS098), O-ring (RPI Part #RPO306), and O-ring (RPI Part #RPO307)

Fits: Fill-Vent Bracket Assembly

Models: SpeedClave® 7 & the following SpeedClave® M7 models:

- M7 (011) serial #MH3105 thru present & V2200 thru present;
- M7 (012) serial #MJ1242 thru present & V2200 thru present;
- M7 (014) serial #ML4210 thru present & V2200 thru present;
- M7 (013/015/016) all serial #'s;

New Style!



#10-32 Thread  
Use Valve Stem Kit  
(RPI Part #RCS098)

## VALVE STEM REPAIR KIT ALSO AVAILABLE!

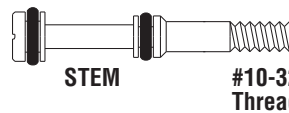
When ready to repair or replace the Valve Stem in this **New Style** RPI or OEM Fill-Vent Valve ... Ask for RPI Part #RCS098. The Stem in this kit accommodates a #10-32 thread and has two different sized O-rings (RPI Part #'s RPO306 & RPO307).

RPI Part #RCS098  
OEM Part # Included in 002-0247-00

### VALVE STEM KIT

- Material: Brass Stem, EP O-rings
  - Includes all parts as shown
- Fits: RPI's **New Style** Fill-Vent Valve (RPI Part #RCV052) and OEM Fill-Vent Valve (OEM Part #002-0247-00)  
Models: 7 & M7

Fits New Style RPI Fill-Vent Valve and OEM Fill-Vent Valve!



RPL090 (x1)

Includes O-rings (RPI Part #RPO306 & RPO307) Installed

# Don't Forget ...

## RPI also offers the Valve Stem Repair Kit to fit the OLD style RPI Manual Fill-Vent Valve

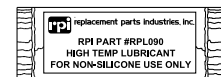
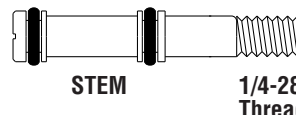
Need to repair or replace the Valve Stem in the **Old Style** RPI Fill-Vent Valve? Then ask for RPI Part #RCS097. The Stem in this kit accommodates a 1/4-28 thread and has two of the same sized O-rings (RPI Part #RPO306).

RPI Part #RCS097  
OEM Part # (No OEM Part # Available)

### VALVE STEM KIT

- Material: Brass Stem, EP O-rings
  - Includes all parts as shown
  - See "Service Tip" below
- Fits: Only the **Old Style** RPI Fill-Vent Valve (RPI Part #RCV052)  
Models: 7 & M7

Only Fits Older Style RPI Fill-Vent Valve!



RPL090 (x1)

Includes (2) O-ring (RPI Part #RPO306) Installed